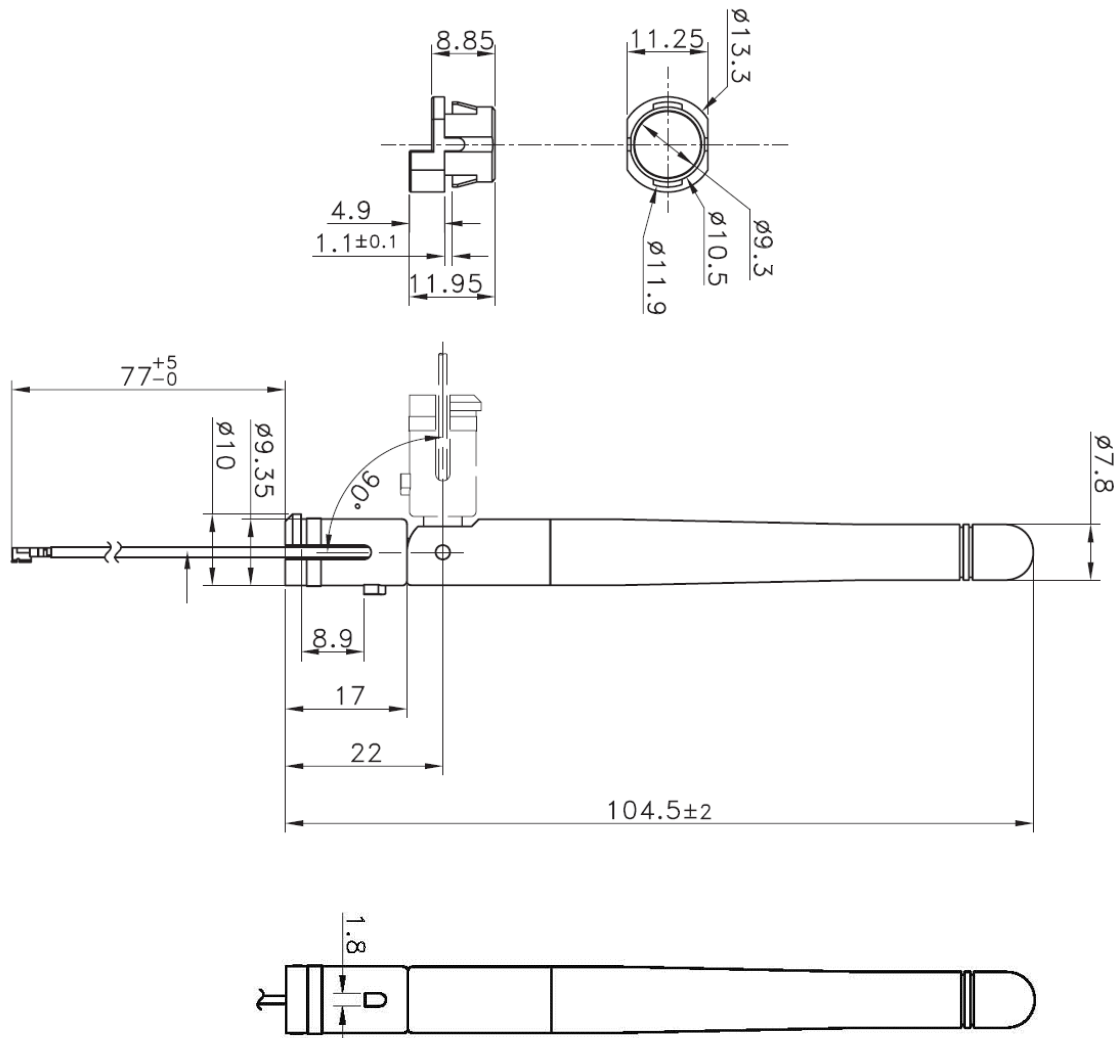


# GSM Quad bands Ant. to 1.37(GR) to IPEX

L=77mm, with latch

Product No. AR0075EG08A19

## Structure Figure



Unit: mm

## Mechanical Properties

Description	Specification
Whip	TPE
Color	Black
Connector	IPEX
Operating Temperature	-20°C~+65°C
Weight	8.5 g

## Electrical Properties

Description	Specification
Frequency Range	824-960MHz 1710-2170MHz
Impedance	50 $\Omega$
VSWR	4.0 Max
Radiation	Omni
Polarization	Vertical
Gain	Unity 2.5dBi