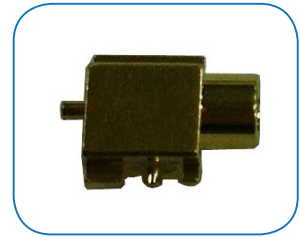
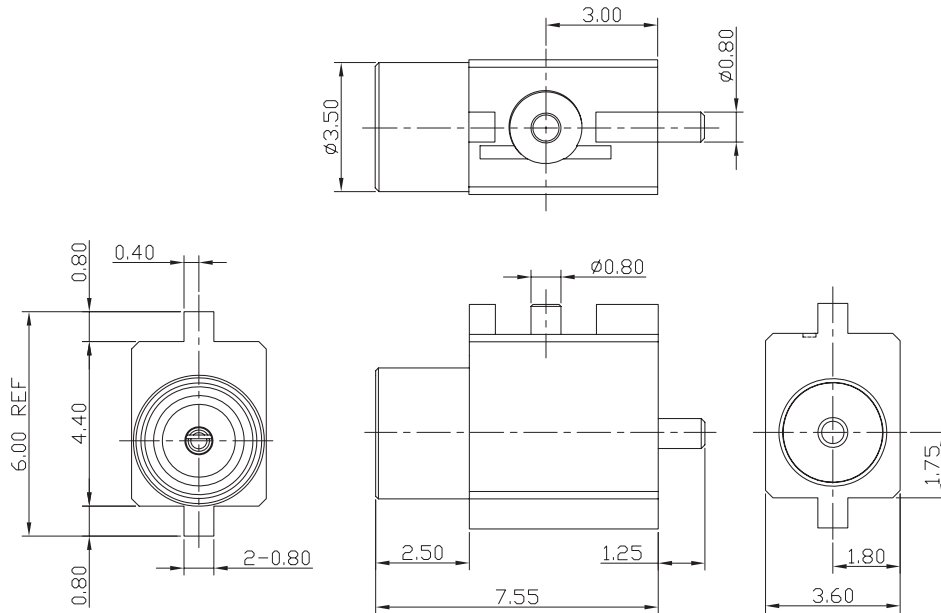


MMCX Right Angle Jack Switch

Product No. C00BJ300007

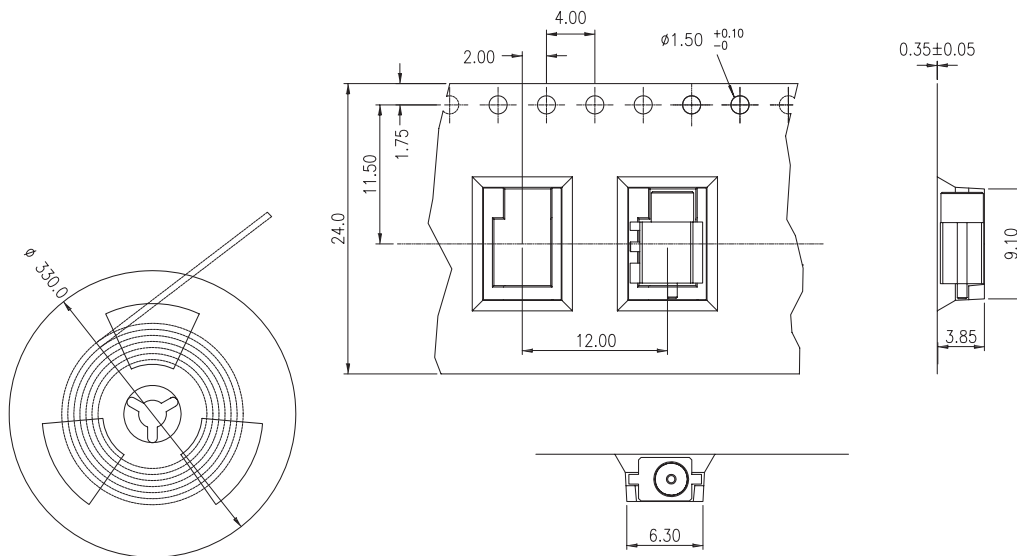


Structure Figure



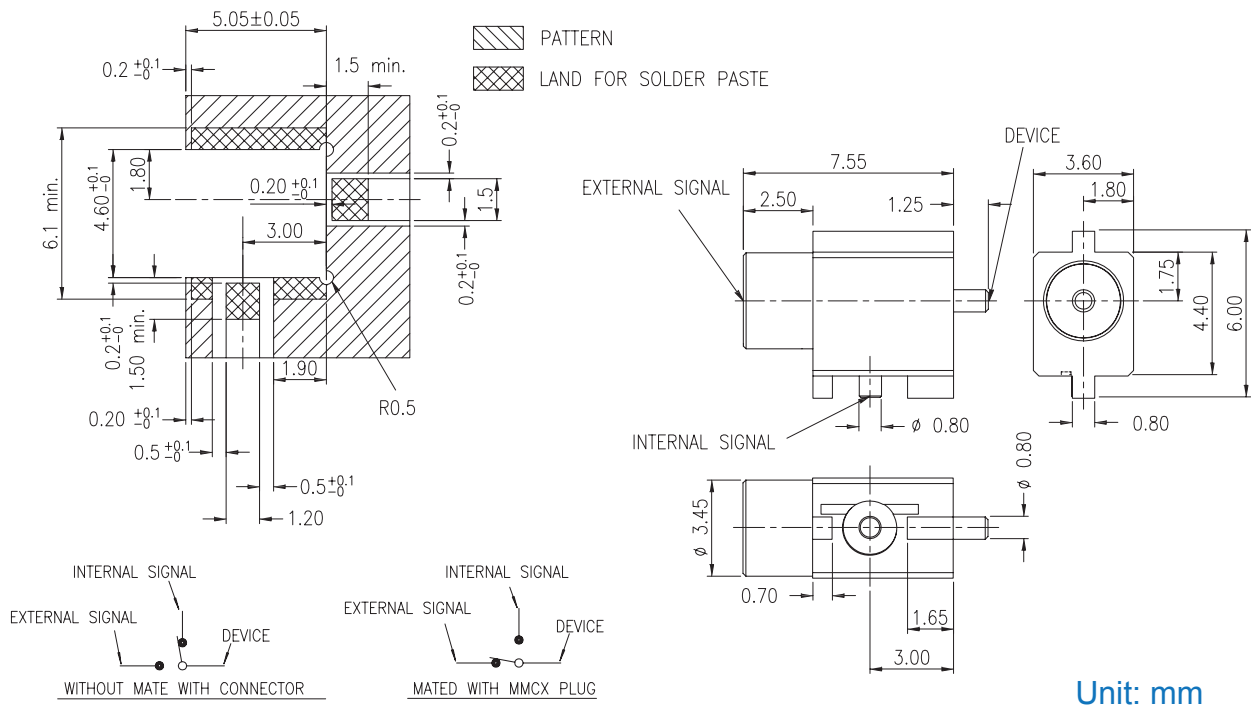
Unit: mm

Tapping



Unit: mm

Receptacle layout dim.



Technical Data

Material/Finish

	Material	Finish
Connector body	Brass per (QQ-B-626 or JIS-C3604B)	Gold plating
Center contact male	Brass per (QQ-B-626 or JIS-C3604B)	Gold plating
Center contact female	Beryllium copper per (QQ-C-530 or JIS-C1730)	Gold plating
Insulator	PTFE	None
Spring	Stainless steel	None

Electrical

Description	Specification
Nominal impedance	50 Ω
Frequency up to	6 GHz
Internal antenna initial VSWR	1.6 max.
Internal antenna initial Insertion loss	-0.6 dB min.
External antenna initial VSWR	1.6 max.
External antenna initial Insertion loss	-0.6 dB min.
Workion Voltage	125 Volts rms
Dielectric withstanding voltage	500 Volts rms
Insulation resistance	500 MΩ min
Contact resistance	center conductor 5.0mΩ outer conductor 2.5mΩ

Mechanical & Environmental

Description	Specification
Mating	Snap on coupling
Engage force	2.0 kgf max.
Disengage force	0.5 kgf min.
Durability	≥500 cycles
Temperature range	-55°C to + 155°C
Corrosion	Per MIL-STD-202 Method 101 Test condition B

Internal antenna initial I.L.

37269C

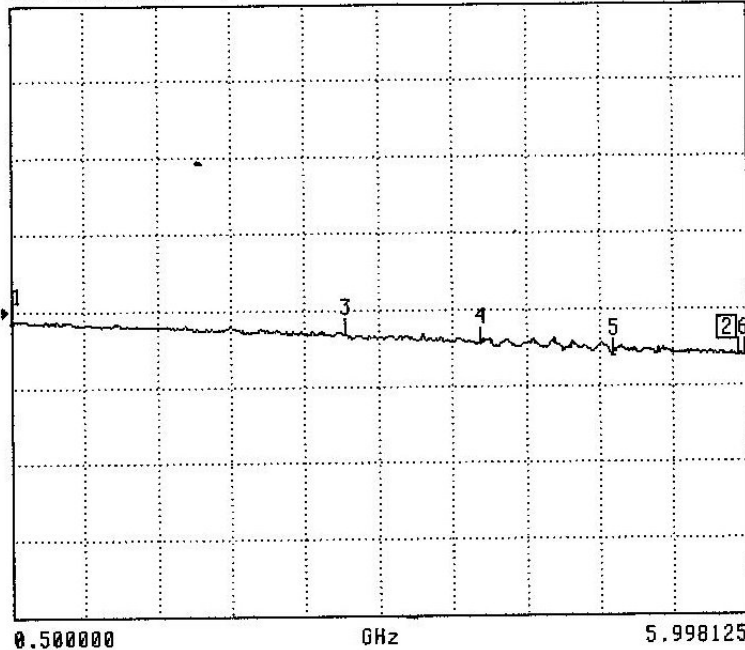
MODEL:		DATE:	04/10/2007 11:37	Page	1
DEVICE ID:		OPERATOR:			
START:	0.500000 GHz	GATE START:	-	ERROR CORR:	12-TERM
STOP:	5.998125 GHz	GATE STOP:	-	AVERAGING:	1 PT
STEP:	0.011875 GHz	GATE:	-	IF BNDWDTH:	1 KHz
		WINDOW:	-		

```

-----CH2-----
PARAMETER:          -S21-
NORMALIZATION:      OFF
REFERENCE PLANE:    0.0000 mm
SMOOTHING:          0.0 PERCENT
DELAY APERTURE:     -
    
```

S21 FORWARD TRANSMISSION

LOG MAGNITUDE REF=0.000 dB 0.500 dB/DIV



```

CH 2 - S21
REFERENCE PLANE
0.0000 mm
    
```

```

MARKER 2
5.926875 GHz
-0.312 dB
    
```

```

MARKER TO MAX
MARKER TO MIN
    
```

1	0.500000 GHz	-0.000 dB
3	3.005625 GHz	-0.165 dB
4	4.003125 GHz	-0.224 dB
5	5.000625 GHz	-0.304 dB
6	5.986250 GHz	-0.310 dB

 MARKER READOUT
FUNCTIONS

