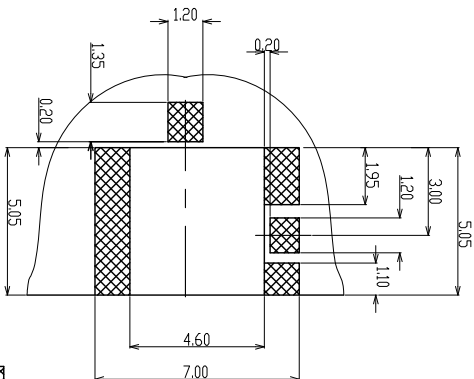
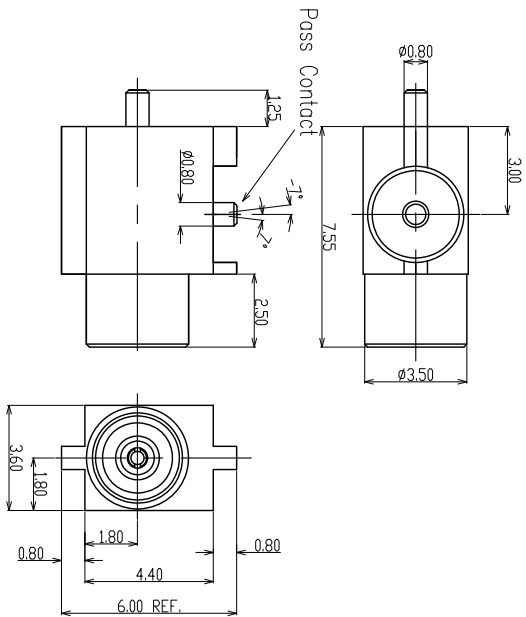
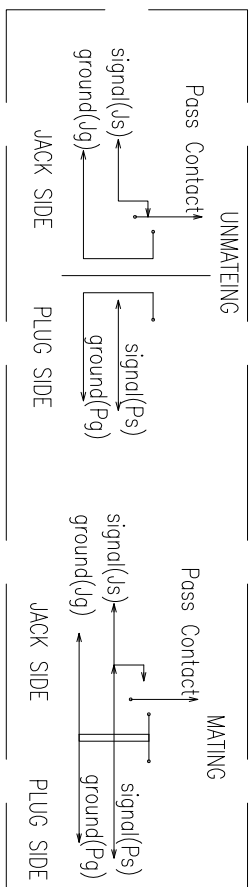


ROHS COMPLIANT

REVISIONS		REV	DESCRIPTION	DATE	APPROVED
1.00	INITIAL DESIGN	1.00	INITIAL DESIGN	2012/04/26	Jimmy
1.01	Correct TITLE SMT was STM	1.01	Correct TITLE SMT was STM	2013/06/11	Jimmy



Land for solder paste

Wellshow Technology Co., Ltd

[Http://www.rfcoaxcable.com](http://www.rfcoaxcable.com)

TITLE MIMCX Switch Jack Edge Card PCB SMT

DWG NO. C00BJ330007

GENERAL TOLERANCES

X ±0.2
XX ±0.2
XXX ±0.2
ANGLES ±3°

CUSTOMER P/N

SCALE 1 : 1

APPROVALS

SIZE A4

SHEET 1 of 1

(UNLESS OTHERWISE SPECIFIED)

UNLESS OTHERWISE SPECIFIED

NO	DESCRIPTION	MATERIAL	FINISH	Q'TY	DRAWN NO.
08	CONTACT SPRING	HIGH CARBON STEEL	GOLD	1	
07	INNER INSULATOR	TEFLON	NONE	1	
06	REAR INSULATOR	TEFLON	NONE	1	
05	FEMALE INSULATOR	TEFLON	NONE	1	
04	INNER PASS CONTACT	BRASS	GOLD	1	
03	INNER PIN	BRASS	GOLD	1	
02	FEMALE CONDUCTOR	PHOSPHOR BRONZE	GOLD	1	
01	JACK BODY	BRASS	GOLD	1	