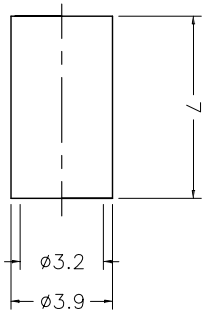
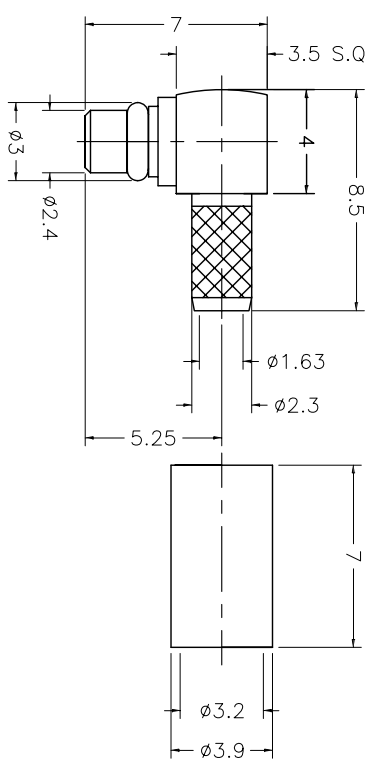
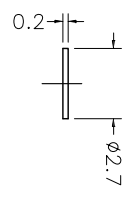
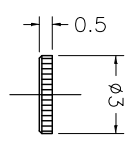
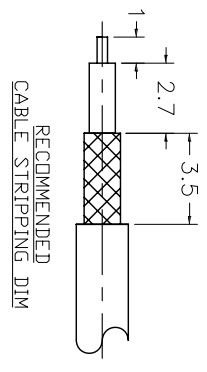


ROHS COMPLIANT



REVISIONS		1
ZONE	REV	DESCRIPTION
A		INITIAL DESIGN
DATE	APPROVED	
2009/07/09	<i>Maria-Miriam-Juarez</i>	

Wellshow Technology Co., Ltd
 TEL:+886-2-24270488 FAX:+886-2-24260387
[Http://www.rfcoaxcable.com](http://www.rfcoaxcable.com)

TITLE **MIMCX R/A Plug Crimp for RD316 Cable**

DWG NO. **C05BA3F316D01**

GENERAL TOLERANCES

X	±0.2
XX	±0.2
XXX	±0.2
ANGLES	±3°

(UNLESS OTHERWISE SPECIFIED)

SCALE	Free	APPROVALS	UNIT	REV.
SIZE	A4	<i>Maria-Miriam-Juarez</i>	mm	A
DRAWN BY:	<i>Maria-Miriam-Juarez</i>			2009/07/09
CHK'D BY:	<i>Maria</i>			2009/07/09
APP'D BY:	<i>Juan</i>			2009/07/09

NO	DESCRIPTION	MATERIAL	FINISH	QTY	DRAWN NO.
07	FERRULE	BRASS	GOLD	1	
06	PIN	BRASS	GOLD	1	
05	WASHER B	BERYLLIUM COPPER	GOLD	1	
04	INSULATOR B	TEFLON	NONE	1	
03	BODY	BRASS	GOLD	1	
02	INSULATOR A	TEFLON	NONE	1	
01	WASHER A	BRASS	GOLD	1	
8	DESCRIPTION	MATERIAL	FINISH	QTY	DRAWN NO.