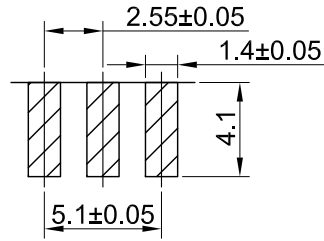
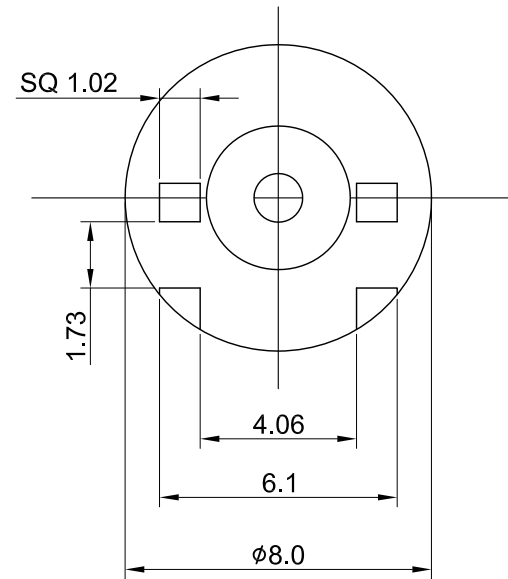
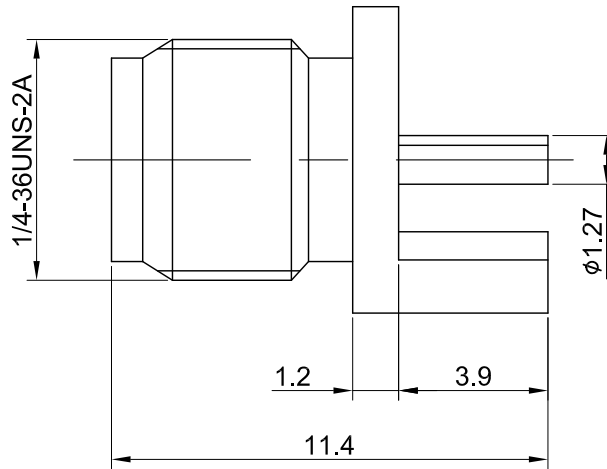


REV	DESCRIPTION	DATE
1.10	ADD RECOMMENDED PCB LAYOUT	2019/10/29
1.20	NEW DRAWING FRAME	2024/06/28




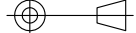
RECOMMENDED
PCB LAYOUT



MECHANICAL DATA
 DURABILITY : 500 CYCLES
 TEMPERATURE RANGE : -65°C ~ + 165°C

ELECTRICAL DATA
 FREQUENCY RANGE: DC~6GHZ
 IMPEDANCE : 50Ω
 VSWR : 1.3 MAX.
 WORKING VOLTAGE : AC 500V
 WITHSTANDING VOLTAGE : AC 1000V
 INSULATION RESISTANCE : 5000 MΩ MIN

03	CENTER PIN	Be.Cu	GOLD	1
02	INSULATOR	TEFLON	NONE	1
01	BODY	BRASS	GOLD	1
NO	DESCRIPTION	MATERIAL	FINISH	Q'TY

TITLE		DRAWN BY: Kelly		2024/06/28	
SMA(F)st. edge mount, round panel, 1.73mm thick		CHK'D BY: Chili		2024/06/28	
DWG NO. C02AJ31P00121C				 REV.	
CUST. P/N: N/A DWG NO: N/A		GENERAL TOLERANCES .X ±0.2 .XX ±0.2 .XXX ±0.2 ANGLES N/A		DA2406280006 1.20	
SHEET	1 of 1	Unit: mm			