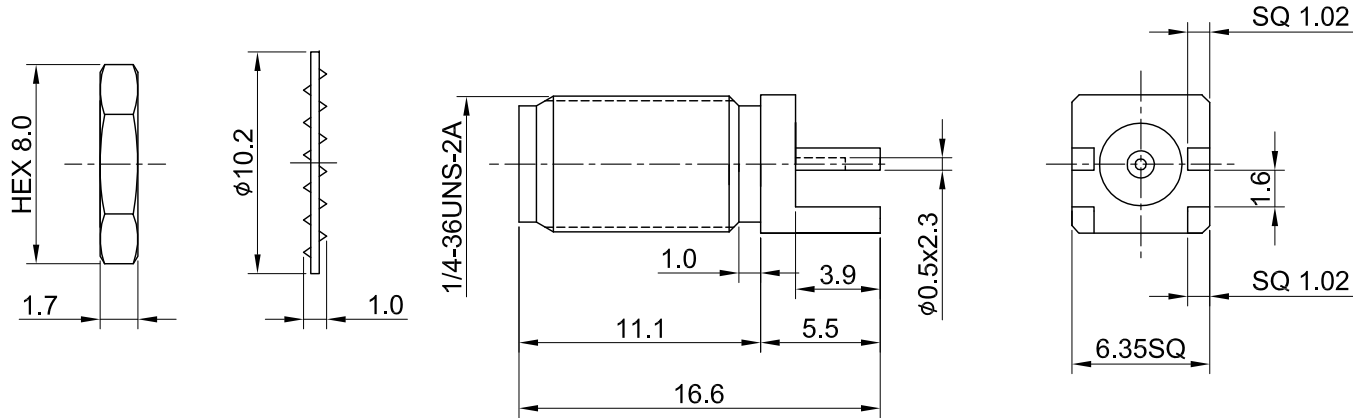
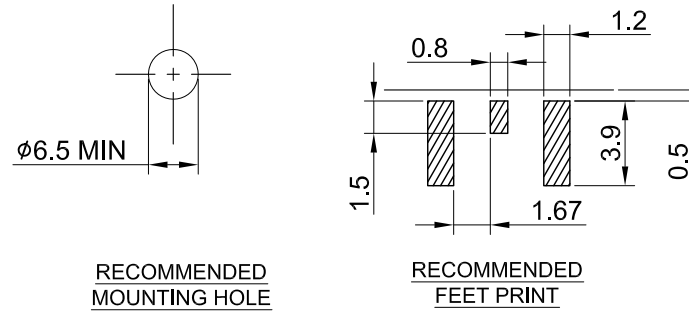


REV	DESCRIPTION	DATE
1.10	INITIAL DESIGN	2023/06/27
1.11	CORRECT INSULATION RESISTANCE UNIT	2023/12/27



MECHANICAL DATA
 DURABILITY : 500 CYCLES
 TEMPERATURE RANGE : -65°C ~ + 165°C

ELECTRICAL DATA
 FREQUENCY RANGE: DC~6GHz
 IMPEDANCE : 50Ω
 VSWR : 1.3 MAX.
 WORKING VOLTAGE : AC 500V
 WITHSTANDING VOLTAGE : AC 1000V
 INSULATION RESISTANCE : 5000 MΩ MIN

TITLE
 SMA(F) st. bh. edge mount 6.35x6.35mm(for PCB thickness 1.6mm)

05	WASHER	BRASS	GOLD	1
04	NUT	BRASS	GOLD	1
03	PIN	Be.Cu	GOLD	1
02	INSULATOR	TEFLON	NONE	1
01	BODY	BRASS	GOLD	1
NO	DESCRIPTION	MATERIAL	FINISH	Q'TY

DWG NO. C02AJ3109B	
CUST. P/N: N/A DWG NO: N/A	
SHEET 1 of 1	Unit: mm

GENERAL TOLERANCES

.X	±0.2
.XX	±0.2
.XXX	±0.2
ANGLES	N/A

DRAWN BY: Kelly 2023/12/27

CHK'D BY: Maria 2023/12/27

REV. 1.11