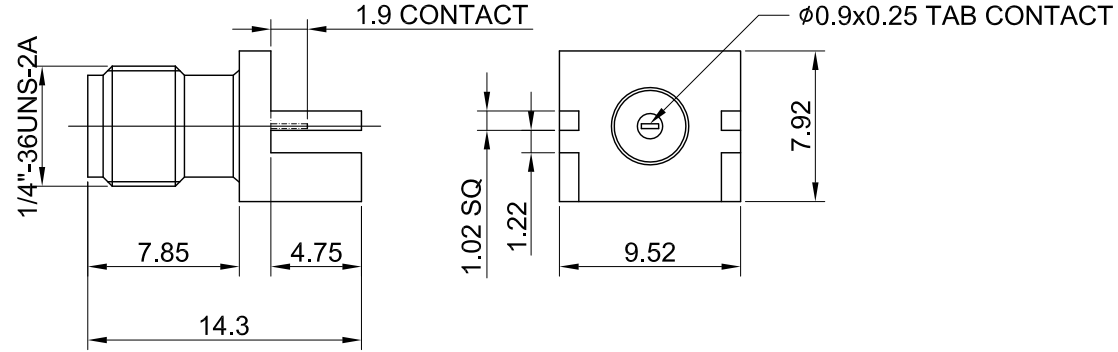
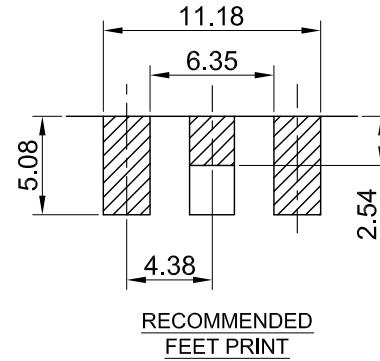



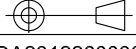
| REV  | DESCRIPTION                        | DATE       |
|------|------------------------------------|------------|
| 1.30 | NEW DRAWING FRAME                  | 2023/07/26 |
| 1.31 | CORRECT INSULATION RESISTANCE UNIT | 2023/12/27 |



MECHANICAL DATA  
 DURABILITY : 500 CYCLES  
 TEMPERATURE RANGE : -65°C ~ + 165°C

ELECTRICAL DATA  
 FREQUENCY RANGE: DC~6GHZ  
 IMPEDANCE : 50Ω  
 VSWR : 1.3 MAX.  
 WORKING VOLTAGE : AC 500V  
 WITHSTANDING VOLTAGE : AC 1000V  
 INSULATION RESISTANCE : 5000 MΩ MIN

|    |             |          |        |      |
|----|-------------|----------|--------|------|
| 03 | PIN         | Be.Cu    | GOLD   | 1    |
| 02 | INSULATOR   | TEFLON   | NONE   | 1    |
| 01 | BODY        | BRASS    | GOLD   | 1    |
| NO | DESCRIPTION | MATERIAL | FINISH | Q'TY |

| TITLE   |   |
|---|---|
| SMA(F) st. edge mount 7.92x9.52mm(for PCB thickness 1.22mm) |   |
| DWG NO.<br>C02AJ3146  |    |
| CUST.<br>P/N: N/A<br>DWG NO: N/A                            | GENERAL TOLERANCES<br>.X ±0.2<br>.XX ±0.2<br>.XXX ±0.2<br>ANGLES N/A  |
| SHEET 1 of 1 Unit: mm                                       | DRAWN BY: Kelly 2023/12/27<br>CHK'D BY: Maria 2023/12/27<br> REV. 1.31<br>DA2312260030 |