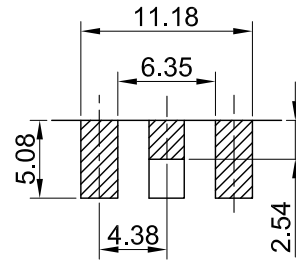
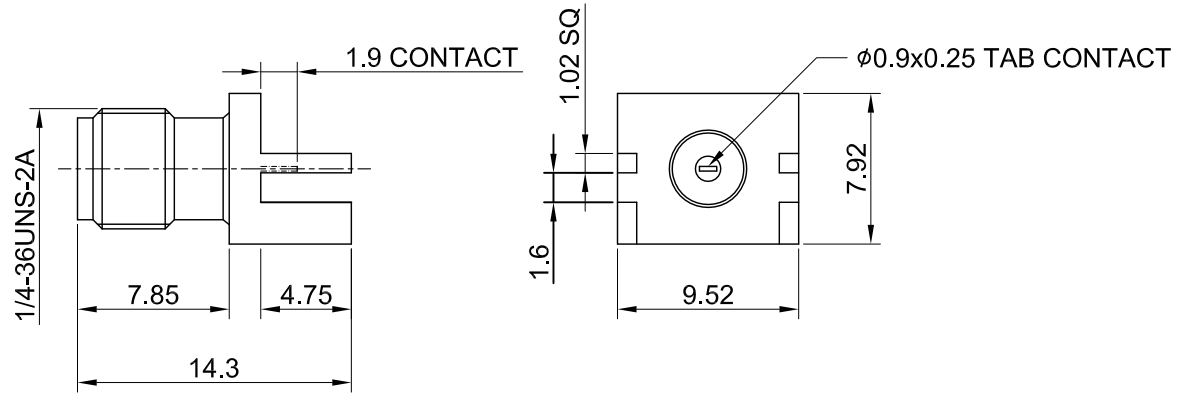


| REV | DESCRIPTION | DATE |
|------|------------------------------|------------|
| 1.20 | CHG DIM 7.85/4.75 W. 7.9/4.7 | 2021/04/21 |
| 1.30 | NEW DRAWING FRAME | 2023/12/27 |




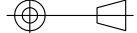
RECOMMENDED
FEET PRINT



MECHANICAL DATA
 DURABILITY : 500 CYCLES
 TEMPERATURE RANGE : -65°C ~ + 165°C

ELECTRICAL DATA
 FREQUENCY RANGE: DC~6GHZ
 IMPEDANCE : 50Ω
 VSWR : 1.3 MAX.
 WORKING VOLTAGE : AC 500V
 WITHSTANDING VOLTAGE : AC 1000V
 INSULATION RESISTANCE : 5000 MΩ MIN

| | | | | |
|----|-------------|----------|--------|------|
| 03 | CENTER PIN | Be.Cu | GOLD | 1 |
| 02 | INSULATOR | TEFLON | NONE | 1 |
| 01 | BODY | BRASS | GOLD | 1 |
| NO | DESCRIPTION | MATERIAL | FINISH | Q'TY |

| TITLE | |
|--|---|
| SMA(F) st. edge mount 7.92x9.52mm(for PCB thickness 1.6mm) | |
| DWG NO. C02AJ3146B |  |
| CUST. P/N: N/A DWG NO: N/A | |
| SHEET 1 of 1 | Unit: mm |
| GENERAL TOLERANCES .X ±0.2 .XX ±0.2 .XXX ±0.2 ANGLES N/A | DRAWN BY: Kelly 2023/12/27 CHK'D BY: Maria 2023/12/27  REV. 1.30 DA2312260042 |