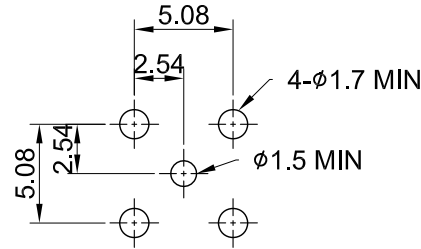
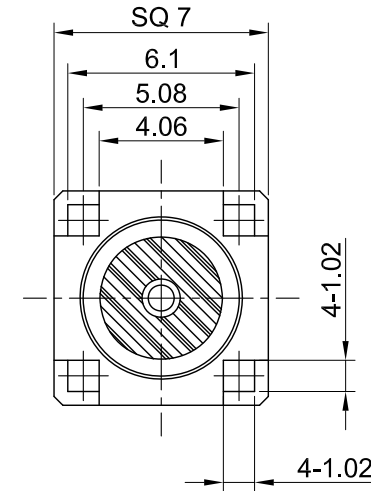
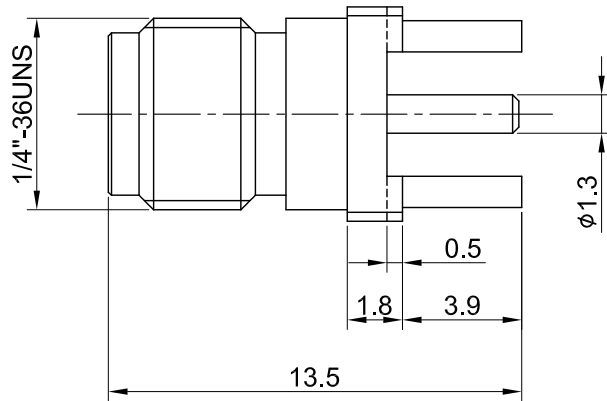


REV	DESCRIPTION	DATE
1.10	UPDATE DRAWING	2023/06/02
1.11	CORRECT INSULATION RESISTANCE	2023/10/24



RECOMMENDED  
PCB HOLE



MECHANICAL DATA  
DURABILITY : 100 CYCLES  
TEMPERATURE RANGE : -65°C ~ + 165°C

DIELECTRICAL DATA  
FREQUENCY RANGE: DC~18GHz  
IMPEDANCE : 50Ω  
VSWR : 1.3 MAX.  
WORKING VOLTAGE : AC 500V  
WITHSTANDING VOLTAGE : AC 1000V  
INSULATION RESISTANCE : 5000 MΩ MIN

03	CENTER PIN	P.BRONZE	GOLD	1
02	INSULATOR	TEFLON	NONE	1
01	BODY	BRASS	GOLD	1
NO	DESCRIPTION	MATERIAL	FINISH	Q'TY

TITLE		Wellshow	
SMA(F) st. PCB type, leg length:3.9mm		DRAWN BY: Lottie 2023/10/24	
DWG NO. C02AN3FP00101		CHK'D BY: Dora 2023/10/24	
CUST. P/N: N/A DWG NO: N/A		REV. 1.11	
SHEET 1 of 1 Unit: mm		DA2310230017	

GENERAL TOLERANCES	
.X	±0.2
.XX	±0.2
.XXX	±0.2
ANGLES	N/A