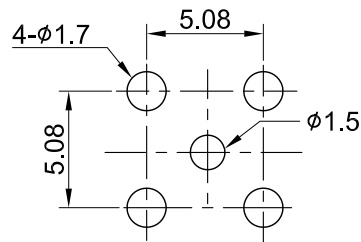
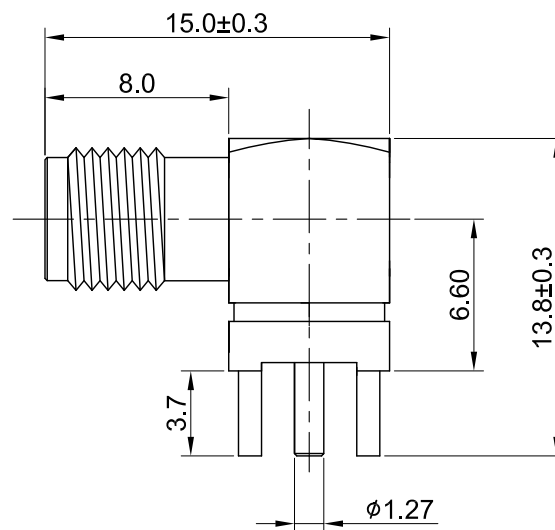
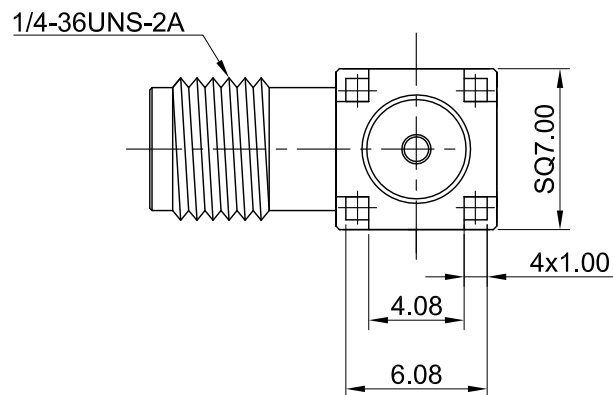


REV	DESCRIPTION	DATE
1.00	INITIAL DESIGN	2021/05/28
1.10	UPDATE RECOMMENDED PCB HOLE	2024/04/22



▲ RECOMMENDED
PCB HOLE



MECHANICAL DATA
DURABILITY : 100 CYCLES
TEMPERATURE RANGE : -65°C ~ + 165°C

ELECTRICAL DATA
FREQUENCY RANGE: DC~6GHz
IMPEDANCE : 50Ω
VSWR : 1.5 MAX.
WORKING VOLTAGE : AC 500V
INSULATION RESISTANCE : 5000 MΩ MIN

05	CENTER PIN	BRASS	GOLD	1
04	INSULATOR B	TEFLON	NONE	1
03	INSULATOR A	TEFLON	NONE	1
02	BODY B	BRASS	GOLD	1
01	BODY A	BRASS	GOLD	1
NO	DESCRIPTION	MATERIAL	FINISH	Q'TY

TITLE		DRAWN BY: Kelly		2024/04/22	
SMA(F) RA. PCB type, Brass pin		CHK'D BY: Mindy		2024/04/22	
DWG NO. C02BNWS02		REVISION		REV. 1.10	
CUST. P/N: N/A		DRAWING NO: N/A		DA2404220002	
SHEET 1 of 1		Unit: mm			



Wellshow

GENERAL TOLERANCES
.X ±0.2
.XX ±0.2
.XXX ±0.2
ANGLES N/A

