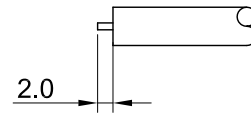
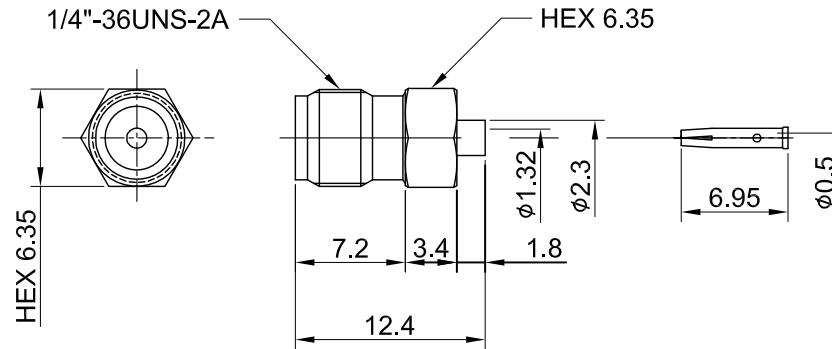


REV	DESCRIPTION	DATE
2.00	CHG PIN DESIGN, ADD DIM 1.8 CHG DIM 6.95/φ0.5 w.6.6/φ0.6	2014/05/05
2.10	NEW DRAWING FRAME	2023/10/31


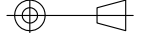


RECOMMENDED
STRIP LENGTHS



MECHANICAL DATA
 DURABILITY : 500 CYCLES
 TEMPERATURE RANGE : -65°C ~ + 165°C

ELECTRICAL DATA
 FREQUENCY RANGE: DC~6GHZ
 IMPEDANCE : 50Ω
 VSWR : 1.3 MAX.
 WORKING VOLTAGE : AC 500V
 WITHSTANDING VOLTAGE : AC 1000V
 INSULATION RESISTANCE : 5000 MΩ MIN

TITLE SMA(F) st. solder for .047		
DWG NO. C02AA31047012A		
CUST. P/N: N/A DWG NO: N/A		GENERAL TOLERANCES .X ±0.2 .XX ±0.2 .XXX ±0.2 ANGLES N/A
SHEET 1 of 1 Unit: mm		DRAWN BY: Kelly 2023/10/31 CHK'D BY: Chilli 2023/10/31  REV. 2.10 DA2310310028

NO	DESCRIPTION	MATERIAL	FINISH	Q'TY
03	CENTER PIN	Be.Cu	GOLD	1
02	INSULATOR	TEFLON	NONE	1
01	BODY	BRASS	GOLD	1