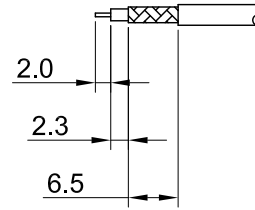
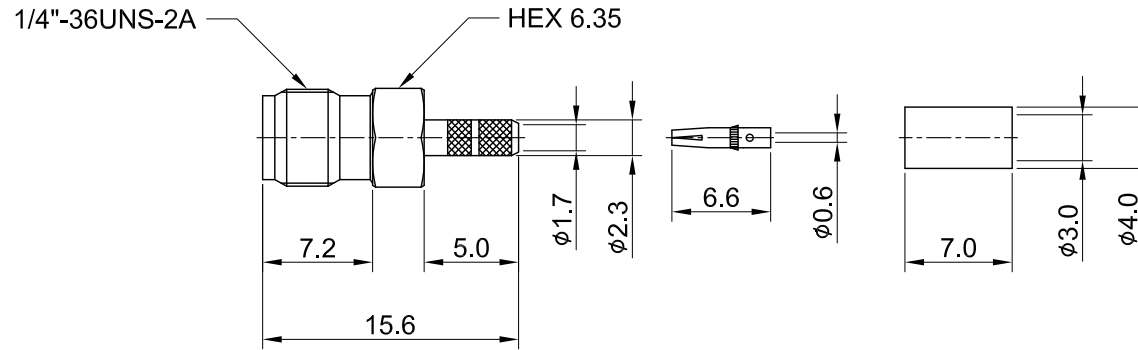


REV	DESCRIPTION	DATE
1.11	CHG SRIP DIM 2.0/2.3/6.5 W. 2.0/1.0/6.4	2018/08/01
1.20	NEW DRAWING FRAME	2023/11/21



RECOMMENDED STRIP LENGTHS



MECHANICAL DATA  
 DURABILITY : 500 CYCLES  
 TEMPERATURE RANGE : -65°C ~ + 165°C

ELECTRICAL DATA  
 FREQUENCY RANGE: DC~6GHz  
 IMPEDANCE : 50Ω  
 VSWR : 1.3 MAX.  
 WORKING VOLTAGE : AC 500V  
 WITHSTANDING VOLTAGE : AC 1000V  
 INSULATION RESISTANCE : 5000 MΩ MIN

04	FERRULE	BRASS	GOLD	1
03	CENTER PIN	Be.Cu	GOLD	1
02	INSULATOR	TEFLON	NONE	1
01	BODY	BRASS	GOLD	1
NO	DESCRIPTION	MATERIAL	FINISH	Q'TY

TITLE SMA (F) st FOR RG174			
DWG NO. C02AA31174012			
CUST. P/N: N/A DWG NO: N/A		GENERAL TOLERANCES .X ±0.2 .XX ±0.2 .XXX ±0.2 ANGLES N/A	DRAWN BY: Kelly 2023/11/22 CHK'D BY: Eileen 2023/11/22
SHEET 1 of 1	Unit: mm		REV. 1.20 DA2311220014