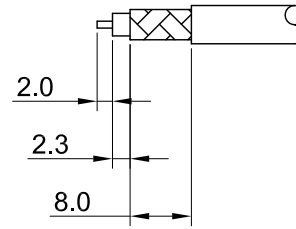
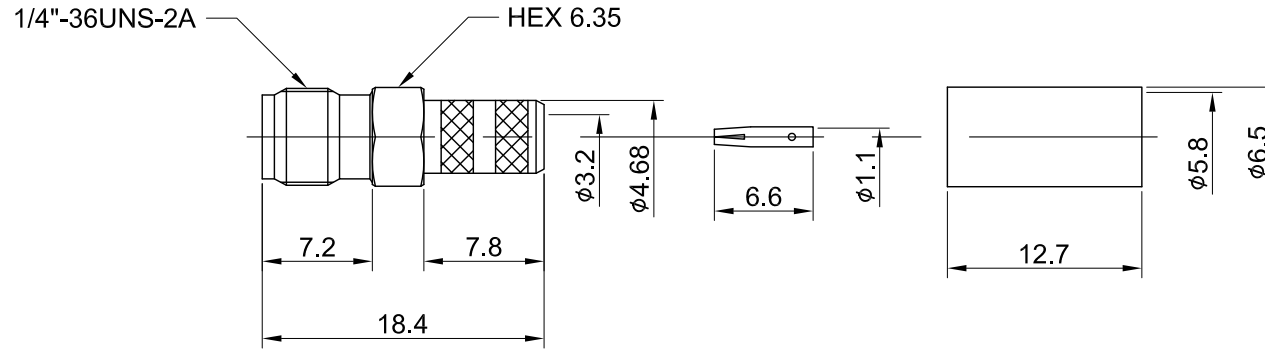


REV	DESCRIPTION	DATE
1.00	INITIAL DESIGN	2019/04/19
1.10	NEW DRAWING FRAME	2023/12/26



RECOMMENDED STRIP LENGTHS



MECHANICAL DATA
 DURABILITY : 500 CYCLES
 TEMPERATURE RANGE : -65°C ~ + 165°C

ELECTRICAL DATA
 FREQUENCY RANGE: DC ~ 6GHz
 IMPEDANCE : 50Ω
 VSWR : 1.3 MAX.
 WORKING VOLTAGE : AC 500V
 WITHSTANDING VOLTAGE : AC 1000V
 INSULATION RESISTANCE : 5000 MΩ MIN

04	FERRULE	BRASS	GOLD	1
03	INSULATOR	TEFLON	NONE	1
02	PIN	Be Cu	GOLD	1
01	BODY	BRASS	GOLD	1
NO	DESCRIPTION	MATERIAL	FINISH	Q'TY

TITLE		DRAWN BY:		CHK'D BY:		REV.	
SMA(F) st. for RG400/RG142		Lottie	2023/12/26	Kelly	2023/12/26	1.10	
DWG NO. C02AA31400012		DRAWN BY: Lottie 2023/12/26		CHK'D BY: Kelly 2023/12/26		REV. 1.10	
CUST. P/N: N/A DWG NO: N/A		DRAWN BY: Lottie 2023/12/26		CHK'D BY: Kelly 2023/12/26		REV. 1.10	
SHEET 1 of 1		Unit: mm		DA2312180010		1.10	



GENERAL TOLERANCES		DRAWN BY:		CHK'D BY:		REV.	
.X	±0.2	Lottie	2023/12/26	Kelly	2023/12/26	1.10	
.XX	±0.2						
.XXX	±0.2						
ANGLES	N/A						