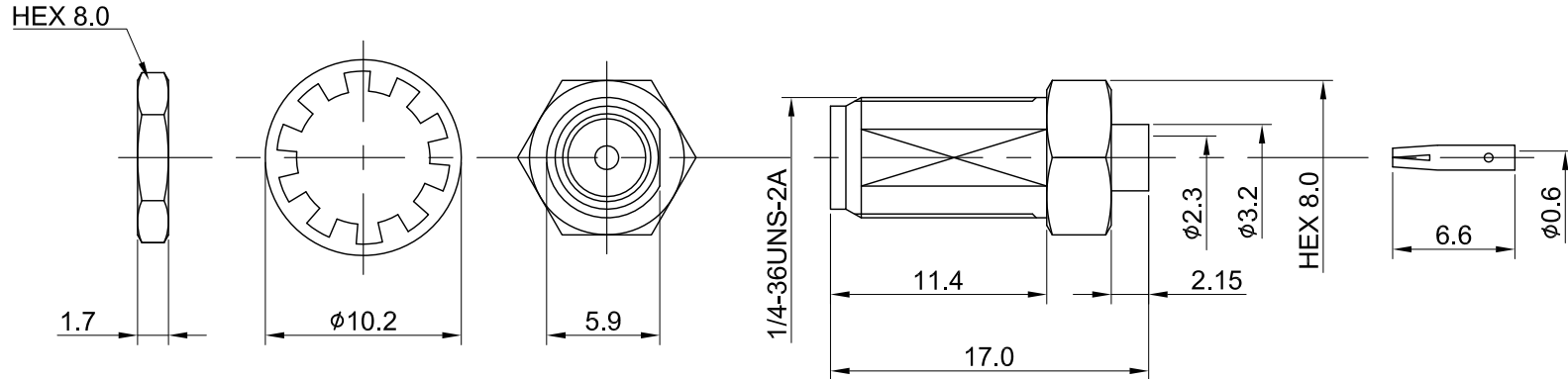
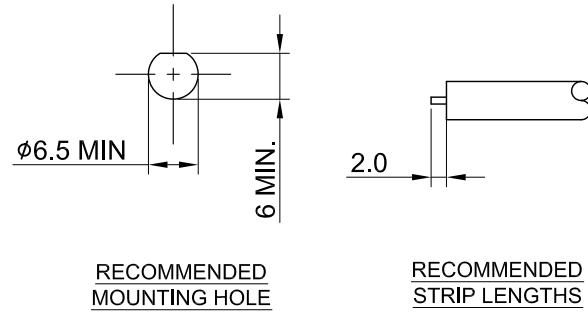


REV	DESCRIPTION	DATE
A	INITIAL DESIGN	2009/12/28
1.10	NEW DRAWING FRAME	2023/12/25



MECHANICAL DATA
 DURABILITY : 500 CYCLES
 TEMPERATURE RANGE : -65°C ~ + 165°C

ELECTRICAL DATA
 FREQUENCY RANGE: DC~6GHZ
 IMPEDANCE : 50Ω
 VSWR : 1.3 MAX.
 WORKING VOLTAGE : AC 375V
 WITHSTANDING VOLTAGE : AC 750V
 INSULATION RESISTANCE : 5000 MΩ MIN

TITLE
 SMA(F) bh. for .085 semi rigid cable

05	NUT	BRASS	GOLD	1
04	WASHER	BRASS	GOLD	1
03	CENTER PIN	Be.Cu	GOLD	1
02	INSULATOR	TEFLON	NONE	1
01	BODY	BRASS	GOLD	1
NO	DESCRIPTION	MATERIAL	FINISH	Q'TY

DWG NO.	C02AB31085003D
CUST. P/N:	N/A
DWG NO:	N/A
SHEET	1 of 1
Unit:	mm

GENERAL TOLERANCES

.X	±0.2
.XX	±0.2
.XXX	±0.2
ANGLES	N/A

DRAWN BY: Kelly 2023/12/25

CHK'D BY: David 2023/12/25

REV. 1.10