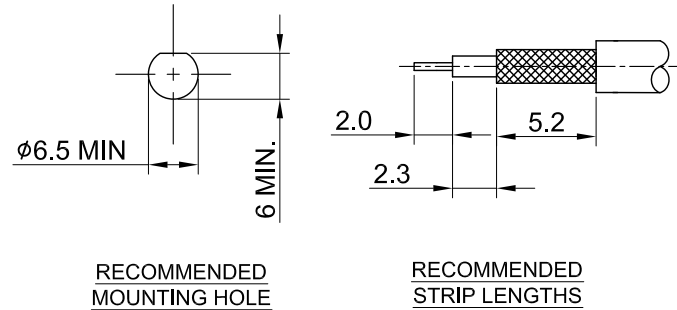
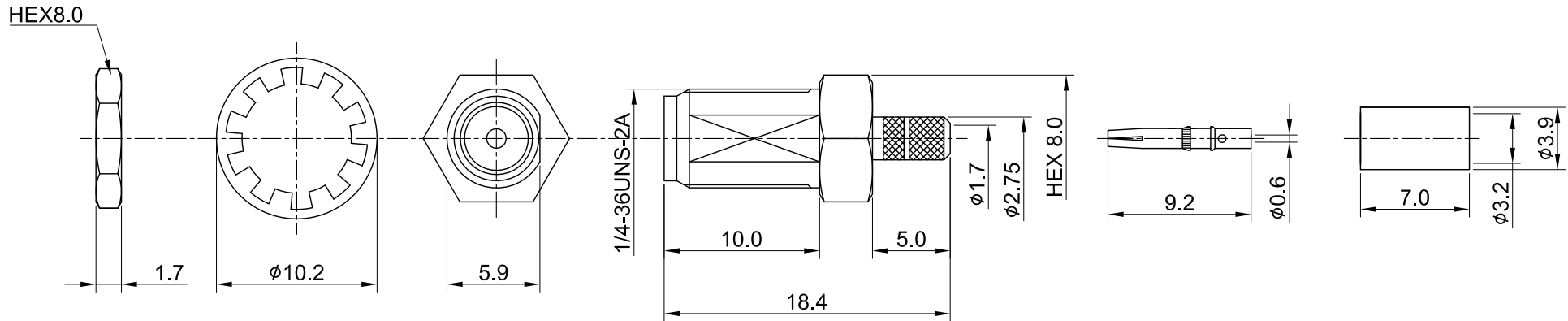


REV	DESCRIPTION	DATE
1.00	INITIAL DESIGN	2012/08/17
1.10	NEW DRAWING FRAME	2023/12/26



RECOMMENDED MOUNTING HOLE

RECOMMENDED STRIP LENGTHS



MECHANICAL DATA
 DURABILITY : 500 CYCLES
 TEMPERATURE RANGE : -65°C ~ + 165°C

ELECTRICAL DATA
 FREQUENCY RANGE: DC~6GHz
 IMPEDANCE : 50Ω
 VSWR : 1.3 MAX.
 WORKING VOLTAGE : AC 375V
 WITHSTANDING VOLTAGE : AC 750V
 INSULATION RESISTANCE : 5000 MΩ MIN

06	NUT	BRASS	GOLD	1
05	WASHER	BRASS	GOLD	1
04	FERRULE	BRASS	GOLD	1
03	CENTER PIN	Be.Cu	GOLD	1
02	INSULATOR	TEFLON	NONE	1
01	BODY	BRASS	GOLD	1
NO	DESCRIPTION	MATERIAL	FINISH	Q'TY

TITLE		DRAWN BY: Kelly		2023/12/26	
SMA(F)st.bh. for RG174,10mm thread (Gold plated)		CHK'D BY: Eileen		2023/12/26	
DWG NO. C02AB31174003N		CUST. P/N: N/A		DWG NO: N/A	
SHEET 1 of 1		Unit: mm		DA2312250005	
GENERAL TOLERANCES		DRAWN BY: Kelly		2023/12/26	
.X ±0.2		CHK'D BY: Eileen		2023/12/26	
.XX ±0.2		REV.		1.10	
.XXX ±0.2		DA2312250005		1.10	
ANGLES N/A					

