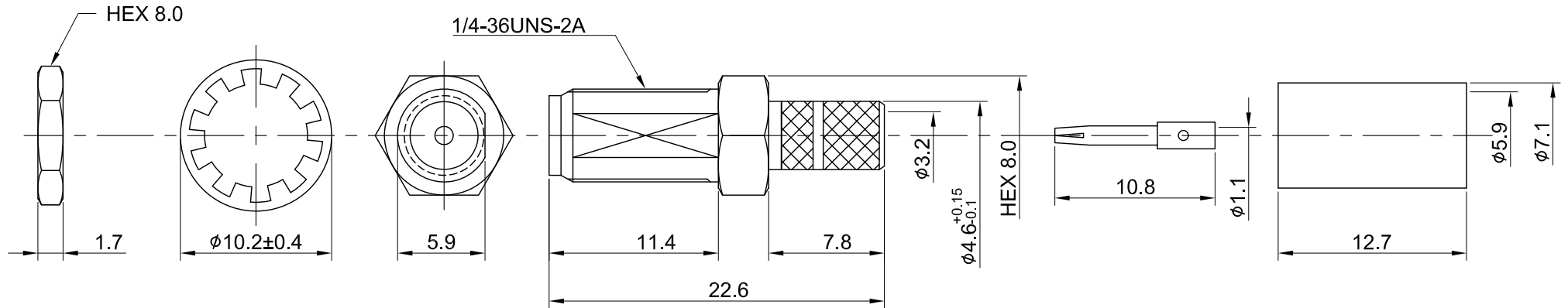
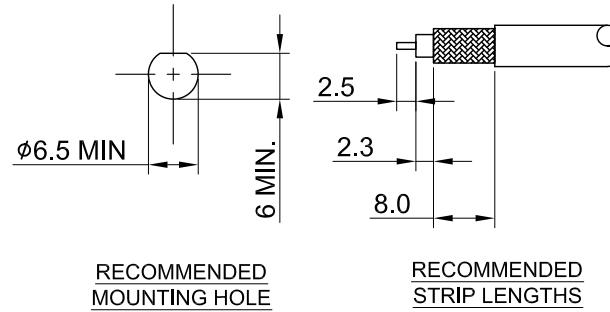


REV	DESCRIPTION	DATE
2.00	change $\phi 4.6^{+0.15}_{-0.1}$ / $\phi 5.9$ / $\phi 7.1$ w. $\phi 4.68$ / $\phi 5.8$ / $\phi 6.5$	2023/04/07
2.10	NEW DRAWING FRAME	2024/01/17



MECHANICAL DATA
 DURABILITY : 500 CYCLES
 TEMPERATURE RANGE : -65°C ~ + 165°C

ELECTRICAL DATA
 FREQUENCY RANGE: DC ~ 6GHz
 IMPEDANCE : 50Ω
 VSWR : 1.3 MAX.
 WORKING VOLTAGE : AC 500V
 WITHSTANDING VOLTAGE : AC 1000V
 INSULATION RESISTANCE : 5000 MΩ MIN

06	WASHER	BRASS	GOLD	1
05	NUT	BRASS	GOLD	1
04	FERRULE	BRASS	GOLD	1
03	INSULATOR	TEFLON	NONE	1
02	PIN	Be Cu	GOLD	1
01	BODY	BRASS	GOLD	1
NO	DESCRIPTION	MATERIAL	FINISH	Q'TY

TITLE		DRAWN BY:		CHK'D BY:		REVISION	
SMA(F) st bh. crimp for RG142		Lottie	2024/01/17	Una	2024/01/17	REV. 2.10	
DWG NO. C02AB31400003C		DRAWN BY: Lottie 2024/01/17		CHK'D BY: Una 2024/01/17		REV. 2.10	
CUST. P/N: N/A DWG NO: N/A		DRAWN BY: Lottie 2024/01/17		CHK'D BY: Una 2024/01/17		REV. 2.10	
SHEET 1 of 1 Unit: mm		DRAWN BY: Lottie 2024/01/17		CHK'D BY: Una 2024/01/17		REV. 2.10	

Wellshow

DA2401020010