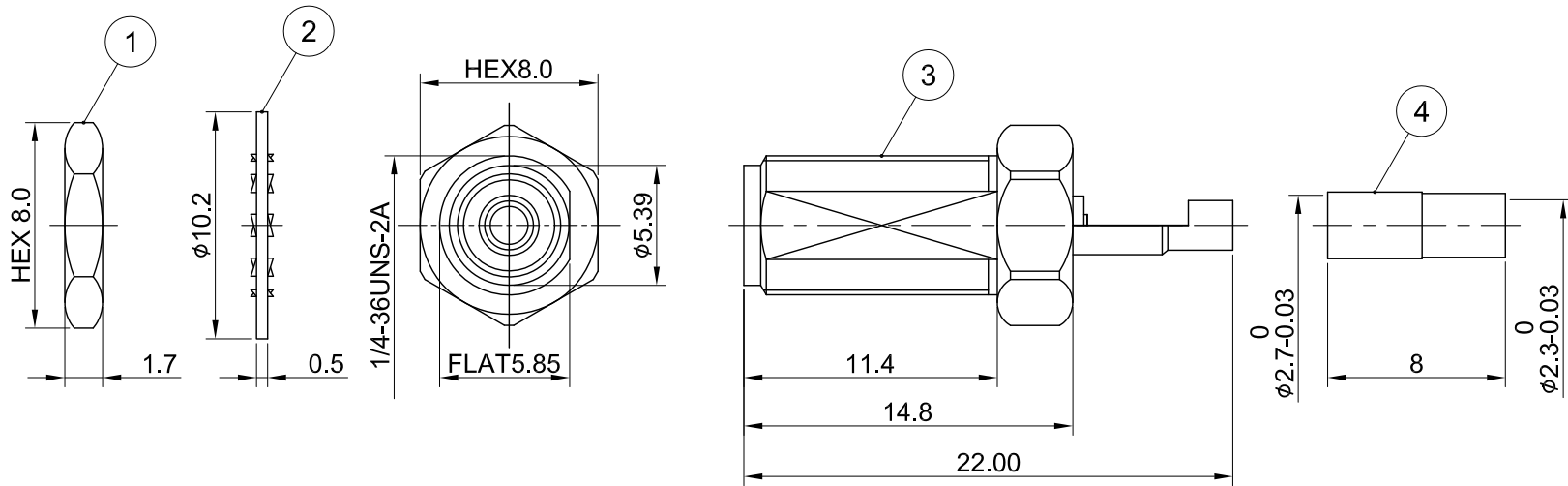
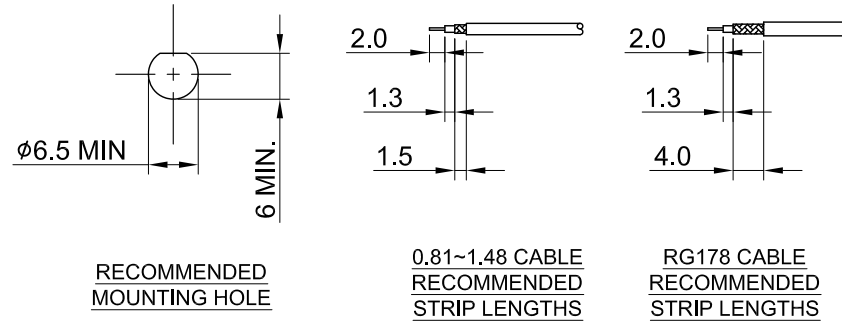


REV	DESCRIPTION	DATE
2.31	CHG 2.0 W. 1.2	2021/09/10
2.40	NEW DRAWING FRAME	2023/11/27



MECHANICAL DATA  
 DURABILITY : 100 CYCLES  
 TEMPERATURE RANGE : -65°C ~ + 165°C

ELECTRICAL DATA  
 FREQUENCY RANGE: DC~3GHz  
 IMPEDANCE : 50Ω  
 VSWR : 1.5 MAX.  
 WORKING VOLTAGE : AC 500V  
 WITHSTANDING VOLTAGE : AC 500V  
 INSULATION RESISTANCE : 5000 MΩ MIN

04	FERRULE	BRASS	GOLD	1
03	CENTER PIN	P.BRONZE	GOLD	1
	INSULATOR	TEFLON	NONE	1
	BODY	BRASS	GOLD	1
02	WASHER	BRASS	GOLD	1
01	NUT	BRASS	GOLD	1
NO	DESCRIPTION	MATERIAL	FINISH	Q'TY

TITLE		DRAWN BY:		CHK'D BY:		REV.	
SMA bulk Jack, 11.4mm, for 0.81~RG178, 3GHz		Kelly		Eileen		2.40	
DWG NO. C02ABWS178003B		2023/11/27		2023/11/27			
CUST. P/N: N/A DWG NO: N/A		DA2311240020					
SHEET 1 of 1		Unit: mm					

**Wellshow**  
 GENERAL TOLERANCES  
 .X ±0.2  
 .XX ±0.2  
 .XXX ±0.2  
 ANGLES N/A