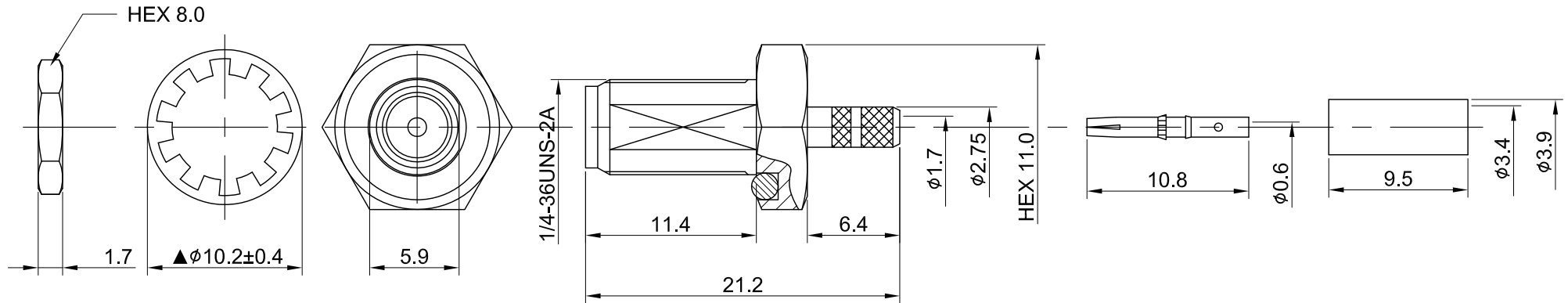
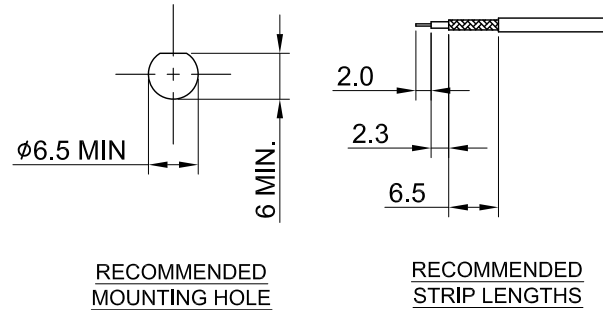


REV	DESCRIPTION	DATE
1.00	INITIAL DESIGN	2016/05/03
1.10	ADD TOLERANCE $\phi 10.2 \pm 0.4$	2024/01/12



MECHANICAL DATA
 DURABILITY : 500 CYCLES
 TEMPERATURE RANGE : -65°C ~ + 165°C

ELECTRICAL DATA
 FREQUENCY RANGE: DC~6GHz
 IMPEDANCE : 50Ω
 VSWR : 1.3 MAX.
 WORKING VOLTAGE : AC 375V
 WITHSTANDING VOLTAGE : AC 750V
 INSULATION RESISTANCE : 5000 MΩ MIN

07	FERRULE	BRASS	GOLD	1
06	NUT	BRASS	GOLD	1
05	WASHER	BRASS	GOLD	1
04	O RING	SILICONE RUBBER	RED	1
03	CENTER PIN	Be.Cu	GOLD	1
02	INSULATOR	TEFLON	NONE	1
01	BODY	BRASS	GOLD	1
NO	DESCRIPTION	MATERIAL	FINISH	Q'TY

TITLE		DRAWN BY:	
SMA(F) bh. wOring crimp type for LMR100/CFD100/NFC100, ferrule ID3.4mm		Kelly	2024/01/12
DWG NO.		CHK'D BY:	
C02AD31L10005A		David	2024/01/12
CUST.		REVISION	
P/N: N/A		REV. 1.10	
DWG NO: N/A		DA2312260024	
SHEET 1 of 1	Unit: mm		

GENERAL TOLERANCES

.X ±0.2

.XX ±0.2

.XXX ±0.2

ANGLES N/A