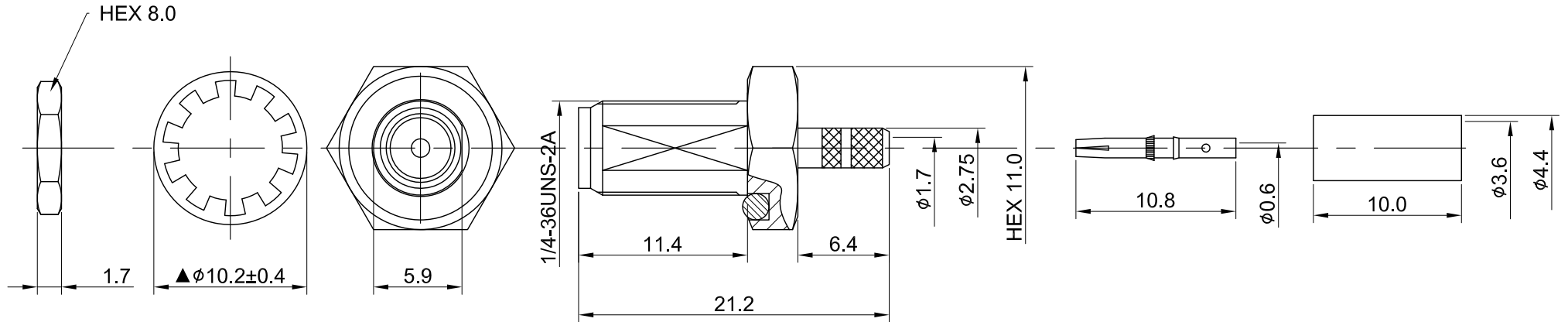
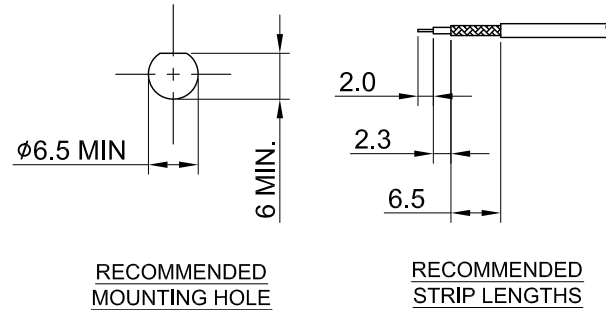


REV	DESCRIPTION	DATE
1.10	NEW DRAWING FRAME	2023/08/25
1.11	CORRECT INSULATION RESISTANCE UNIT, ADD TOLERANCE $\phi 10.2 \pm 0.4$	2024/01/11



MECHANICAL DATA
 DURABILITY : 500 CYCLES
 TEMPERATURE RANGE : -65°C ~ + 165°C

ELECTRICAL DATA
 FREQUENCY RANGE: DC~6GHz
 IMPEDANCE : 50Ω
 VSWR : 1.3 MAX.
 WORKING VOLTAGE : AC 375V
 WITHSTANDING VOLTAGE : AC 750V
 INSULATION RESISTANCE : 5000 MΩ MIN

07	O RING	SILICONE RUBBER	RED	1
06	NUT	BRASS	GOLD	1
05	WASHER	BRASS	GOLD	1
04	FERRULE	BRASS	GOLD	1
03	CENTER PIN	Be.Cu	GOLD	1
02	INSULATOR	TEFLON	NONE	1
01	BODY	BRASS	GOLD	1
NO	DESCRIPTION	MATERIAL	FINISH	Q'TY

TITLE		DRAWN BY: Kelly		2024/01/11
SMA(F)st.bh.wOring,crimp for RD316		CHK'D BY: David		2024/01/11
DWG NO. C02AD31316D05A		REVISIONS		REV. 1.11
CUST. P/N: N/A DWG NO: N/A		DA2308250007		
SHEET 1 of 1		Unit: mm		

GENERAL TOLERANCES

.X ±0.2

.XX ±0.2

.XXX ±0.2

ANGLES N/A