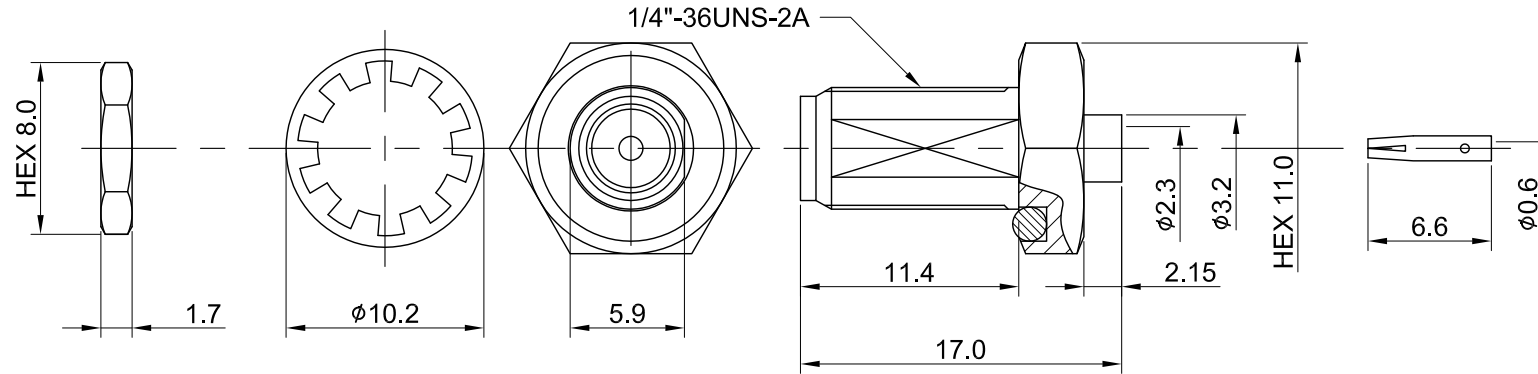
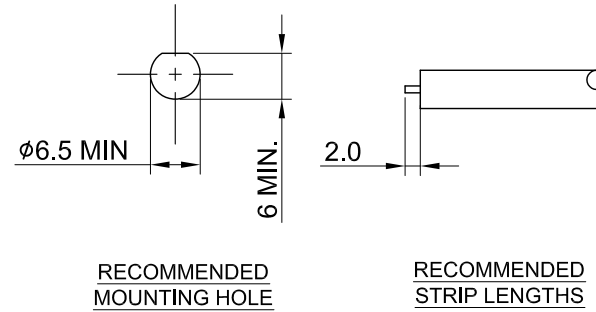


REV	DESCRIPTION	DATE
A	INITIAL DESIGN	2009/12/28
1.00	NEW DRAWING FRAME	2023/11/15



MECHANICAL DATA  
 DURABILITY : 500 CYCLES  
 TEMPERATURE RANGE : -65°C ~ + 165°C

ELECTRICAL DATA  
 FREQUENCY RANGE: DC~6GHZ  
 IMPEDANCE : 50Ω  
 VSWR : 1.3 MAX.  
 WORKING VOLTAGE : AC 375V  
 WITHSTANDING VOLTAGE : AC 750V  
 INSULATION RESISTANCE : 5000 MΩ MIN

06	NUT	BRASS	GOLD	1
05	WASHER	BRASS	GOLD	1
04	O RING	SILICONE RUBBER	NONE	1
03	CENTER PIN	Be.Cu	GOLD	1
02	INSULATOR	TEFLON	NONE	1
01	BODY	BRASS	GOLD	1
NO	DESCRIPTION	MATERIAL	FINISH	Q'TY

TITLE		DRAWN BY: Kelly		2023/11/15	
SMA(F) st bh w/ oring for .085 cable		CHK'D BY: Chili		2023/11/15	
DWG NO. C02AD31085005G		CUST. P/N: N/A		DWG NO: N/A	
SHEET 1 of 1		Unit: mm		DA2311150020	
GENERAL TOLERANCES		DRAWN BY: Kelly		2023/11/15	
.X ±0.2		CHK'D BY: Chili		2023/11/15	
.XX ±0.2		REV.		1.10	
.XXX ±0.2		DA2311150020		1.10	
ANGLES N/A					

