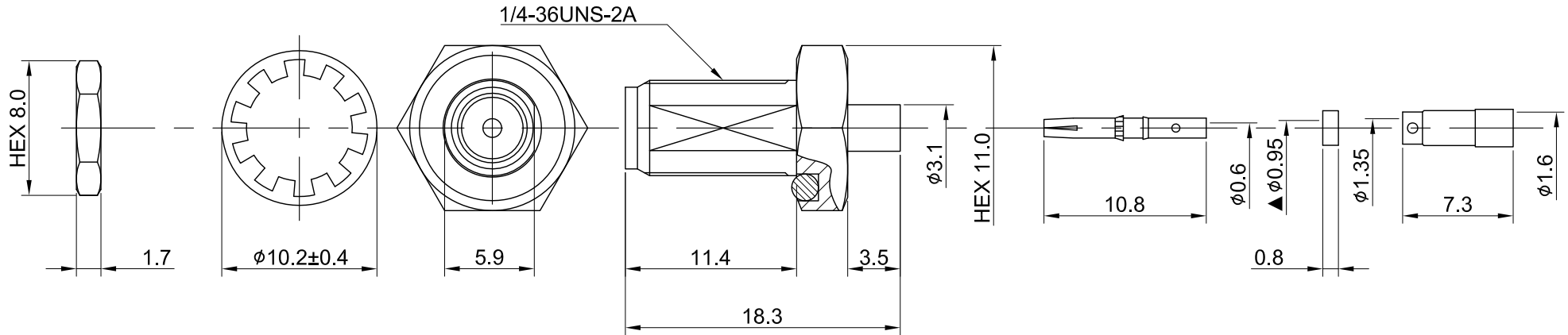
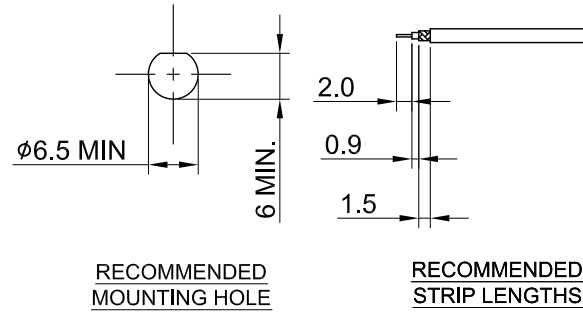


REV	DESCRIPTION	DATE
2.10	Add oring color red, corrected full material name silicon rubber	2020/11/24
2.20	NEW DRAWING FRAME	2024/01/11



MECHANICAL DATA  
 DURABILITY : 500 CYCLES  
 TEMPERATURE RANGE : -65°C ~ + 165°C

ELECTRICAL DATA  
 FREQUENCY RANGE: DC ~ 6GHz  
 IMPEDANCE : 50Ω  
 VSWR : 1.3 MAX.  
 WORKING VOLTAGE : AC 170V  
 WITHSTANDING VOLTAGE : AC 500V  
 INSULATION RESISTANCE : 5000 MΩ MIN

08	INSULATOR B	TEFLON	NONE	1	TITLE SMA Straight bulkhead Jack with O-ring Crimp for 1.48 Cable																
07	O RING	SILICONE RUBBER	RED	1																	
06	WASHER	BRASS	GOLD	1	DWG NO. C02AD31148005																
05	NUT	BRASS	GOLD	1																	
04	SLEEVE	BRASS	NICKEL	1	CUST. P/N: N/A DWG NO: N/A																
03	INSULATOR A	TEFLON	NONE	1																	
02	PIN	Be Cu	GOLD	1	<table border="0"> <tr> <td>GENERAL TOLERANCES</td> <td>DRAWN BY: Lottie</td> <td>2024/01/11</td> </tr> <tr> <td>.X ±0.2</td> <td>CHK'D BY: Kelly</td> <td>2024/01/11</td> </tr> <tr> <td>.XX ±0.2</td> <td></td> <td></td> </tr> <tr> <td>.XXX ±0.2</td> <td></td> <td></td> </tr> <tr> <td>ANGLES N/A</td> <td></td> <td></td> </tr> </table>		GENERAL TOLERANCES	DRAWN BY: Lottie	2024/01/11	.X ±0.2	CHK'D BY: Kelly	2024/01/11	.XX ±0.2			.XXX ±0.2			ANGLES N/A		
GENERAL TOLERANCES	DRAWN BY: Lottie	2024/01/11																			
.X ±0.2	CHK'D BY: Kelly	2024/01/11																			
.XX ±0.2																					
.XXX ±0.2																					
ANGLES N/A																					
01	BODY	BRASS	GOLD	1	<table border="0"> <tr> <td>REV.</td> </tr> <tr> <td>DA2312250040</td> </tr> <tr> <td>2.20</td> </tr> </table>		REV.	DA2312250040	2.20												
REV.																					
DA2312250040																					
2.20																					
NO	DESCRIPTION	MATERIAL	FINISH	Q'TY	SHEET 1 of 1	Unit: mm															

