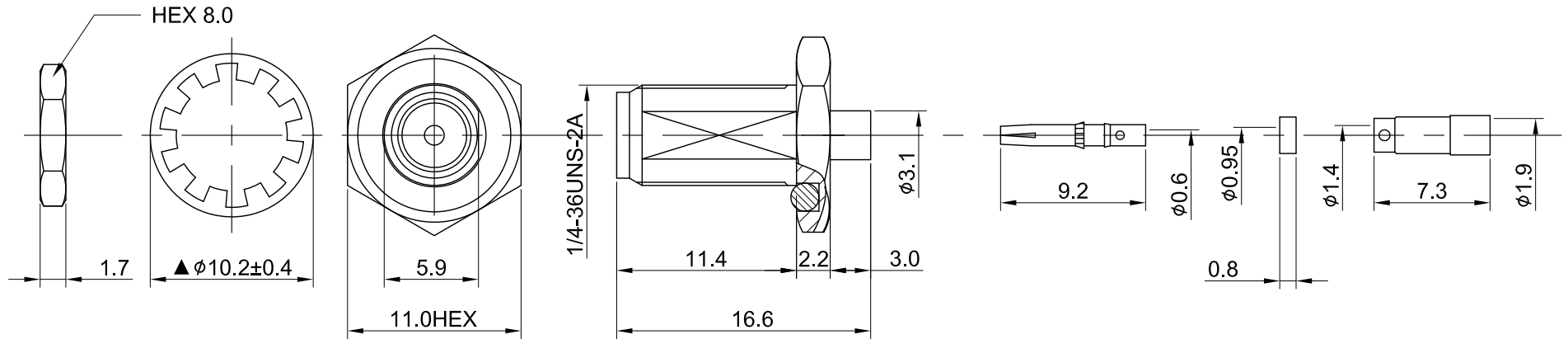
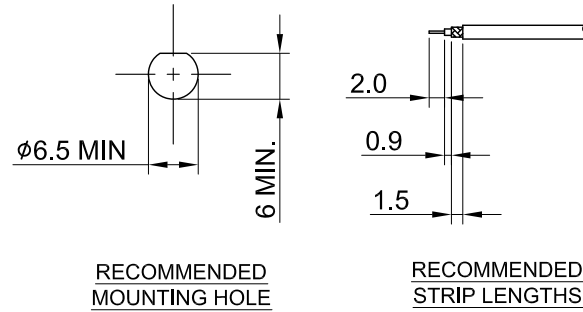


REV	DESCRIPTION	DATE
1.00	INITIAL DESIGN	2021/05/14
1.10	ADD TOLERANCE $\phi 10.2 \pm 0.4$	2024/01/11



MECHANICAL DATA
 DURABILITY : 500 CYCLES
 TEMPERATURE RANGE : -65°C ~ + 165°C

ELECTRICAL DATA
 FREQUENCY RANGE: DC~6GHZ
 IMPEDANCE : 50Ω
 VSWR : 1.3 MAX.
 WORKING VOLTAGE : AC 170V
 WITHSTANDING VOLTAGE : AC 500V
 INSULATION RESISTANCE : 5000 MΩ MIN

08	INSULATOR B	TEFLON	NONE	1	TITLE SMA(F) bh. w/Oring crimp for RG178, 2.2T (平對平)			
07	SLEEVE	BRASS	NICKEL	1				
06	NUT	BRASS	GOLD	1	DWG NO. C02AD31178005B-1		GENERAL TOLERANCES .X ±0.2 .XX ±0.2 .XXX ±0.2 ANGLES N/A	
05	WASHER	BRASS	GOLD	1				
04	O RING	SILICONE RUBBER	RED	1	CUST. P/N: N/A DWG NO: N/A		DRAWN BY: Kelly 2024/01/11 CHK'D BY: David 2024/01/11	
03	CENTER PIN	Be.Cu	GOLD	1				
02	INSULATOR A	TEFLON	NONE	1	SHEET 1 of 1 Unit: mm		 REV. 1.10	
01	BODY	BRASS	GOLD	1				
NO	DESCRIPTION	MATERIAL	FINISH	Q'TY			DA2312260021	