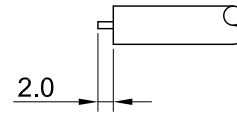
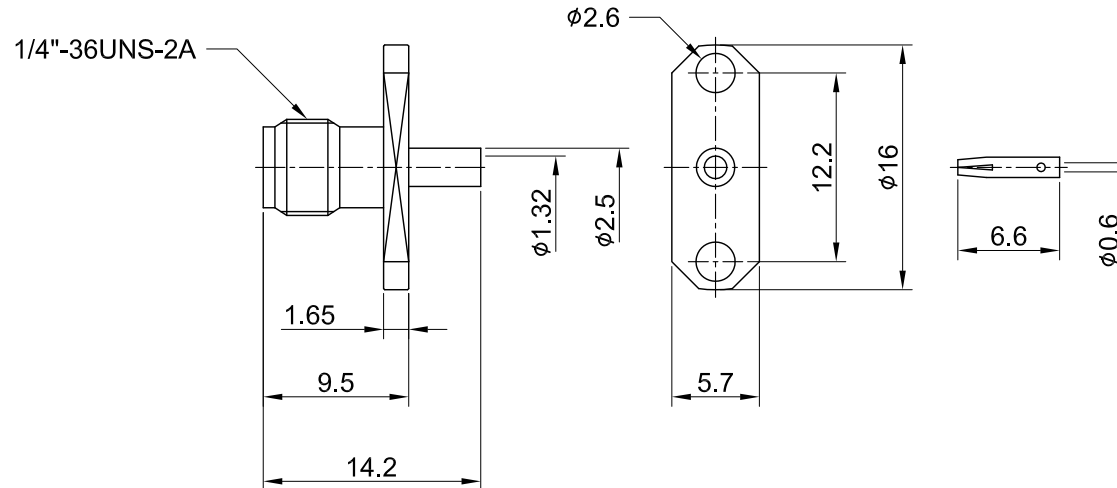


REV	DESCRIPTION	DATE
A	INITIAL DESIGN	2010/01/05
1.10	NEW DRAWING FRAME	2023/11/02



RECOMMENDED STRIP LENGTHS



MECHANICAL DATA  
 DURABILITY : 500 CYCLES  
 TEMPERATURE RANGE : -65°C ~ + 165°C

ELECTRICAL DATA  
 FREQUENCY RANGE: DC~6GHz  
 IMPEDANCE : 50Ω  
 VSWR : 1.3 MAX.  
 WORKING VOLTAGE : AC 500V  
 WITHSTANDING VOLTAGE : AC 1000V  
 INSULATION RESISTANCE : 5000 MΩ MIN

TITLE  
 SMA(F) st. 2 holes panel mount solder type for .047 cable

DWG NO.  
 C02AF31047007C



03	CENTER PIN	Be.Cu	GOLD	1
02	INSULATOR	TEFLON	NONE	1
01	BODY	BRASS	GOLD	1
NO	DESCRIPTION	MATERIAL	FINISH	Q'TY

CUST. P/N: N/A  
 DWG NO: N/A  
 SHEET 1 of 1 Unit: mm

GENERAL TOLERANCES		DRAWN BY: Kelly 2023/11/02	
.X	±0.2	CHK'D BY: Chili	2023/11/02
.XX	±0.2		REV.
.XXX	±0.2		1.10
ANGLES	N/A	DA2311020005	