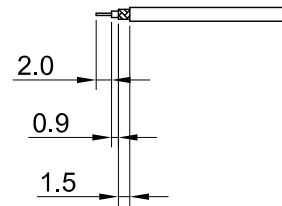
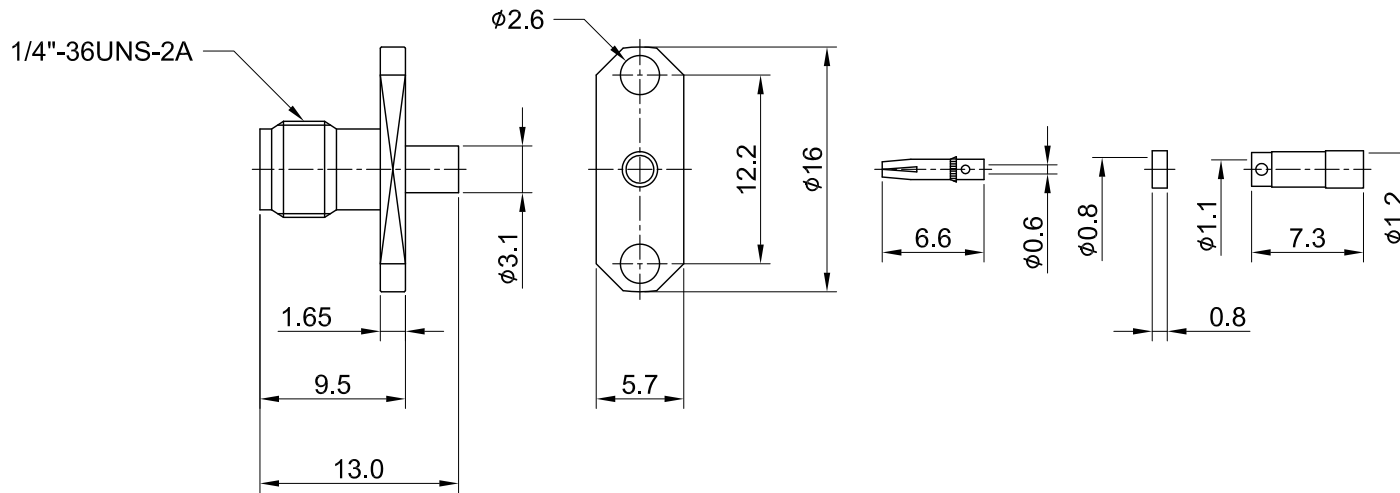


REV	DESCRIPTION	DATE
2.00	CHG 3.1 W. 2.9, CHG SLEEVE FINISH NICKEL W. ALBALOY.	2012/03/06
2.10	UPDATE TITLE	2023/10/31



RECOMMENDED STRIP LENGTHS



MECHANICAL DATA
 DURABILITY : 500 CYCLES
 TEMPERATURE RANGE : -65°C ~ + 165°C

ELECTRICAL DATA
 FREQUENCY RANGE: DC~6GHz
 IMPEDANCE : 50Ω
 VSWR : 1.3 MAX.
 WORKING VOLTAGE : AC 170V
 WITHSTANDING VOLTAGE : AC 500V
 INSULATION RESISTANCE : 5000 MΩ MIN

TITLE	
SMA(F) st. 2 holes Panel for 1.13	

05	INSULATOR B	TEFLON	NONE	1
04	SLEEVE	BRASS	NICKEL	1
03	PIN	Be.Cu	GOLD	1
02	INSULATOR A	TEFLON	NONE	1
01	BODY	BRASS	GOLD	1
NO	DESCRIPTION	MATERIAL	FINISH	Q'TY

DWG NO. C02AF31113007	
CUST. P/N: N/A DWG NO: N/A	
SHEET 1 of 1	Unit: mm

	GENERAL TOLERANCES	DRAWN BY: Kelly	2023/10/31
	.X ±0.2 .XX ±0.2 .XXX ±0.2 ANGLES N/A	CHK'D BY: Mindy	2023/10/31
		REV.	2.10
DA2310310012			