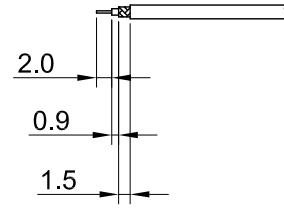
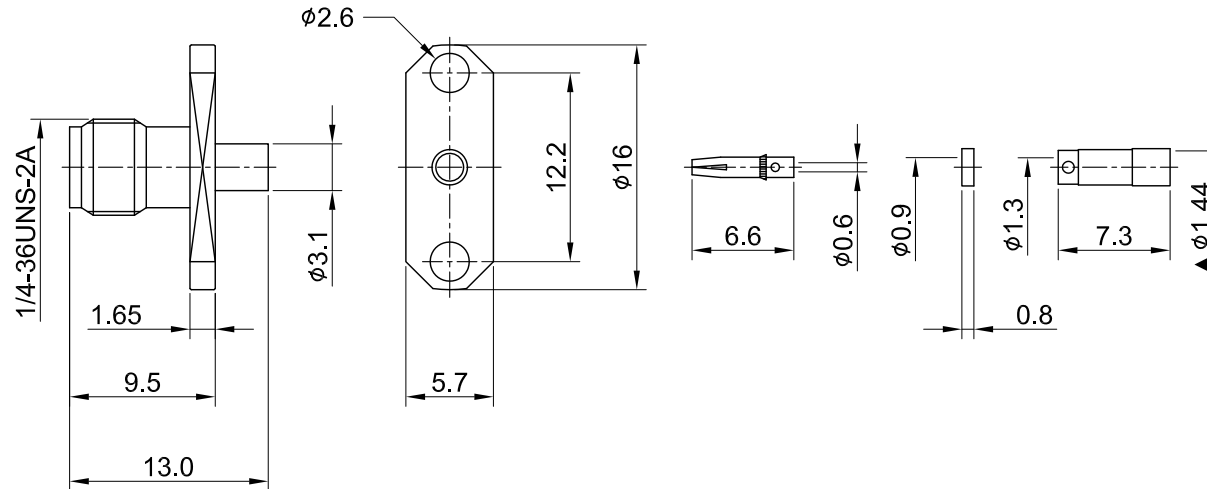


REV	DESCRIPTION	DATE
2.00	CHG DIM 3.1 W. 2.9 , CHG SLEEVE FINISH NICKEL W. ALBALOY.	2013/03/06
2.10	CHG $\phi 1.44$ W. $\phi 1.4$	2023/12/27



RECOMMENDED STRIP LENGTHS



MECHANICAL DATA
DURABILITY : 500 CYCLES
TEMPERATURE RANGE : -65°C ~ + 165°C

ELECTRICAL DATA
FREQUENCY RANGE: DC~6GHz
IMPEDANCE : 50 Ω
VSWR : 1.3 MAX.
WORKING VOLTAGE : AC 170V
WITHSTANDING VOLTAGE : AC 500V
INSULATION RESISTANCE : 5000 M Ω MIN

TITLE
SMA(F)st. 2holes panel mount type for 1.37

05	SLEEVE	BRASS	NICKEL	1
04	INSULATOR B	TEFLON	NONE	1
03	CENTER PIN	Be.Cu	GOLD	1
02	INSULATOR A	TEFLON	NONE	1
01	BODY	BRASS	GOLD	1
NO	DESCRIPTION	MATERIAL	FINISH	Q'TY

DWG NO. C02AF31137007	
CUST. P/N: N/A DWG NO: N/A	
SHEET 1 of 1	Unit: mm

GENERAL TOLERANCES

.X ± 0.2

.XX ± 0.2

.XXX ± 0.2

ANGLES N/A

DRAWN BY: Kelly 2023/12/27

CHK'D BY: Eileen 2023/12/27

REV.
2.10

DA2312250010