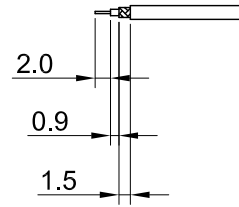
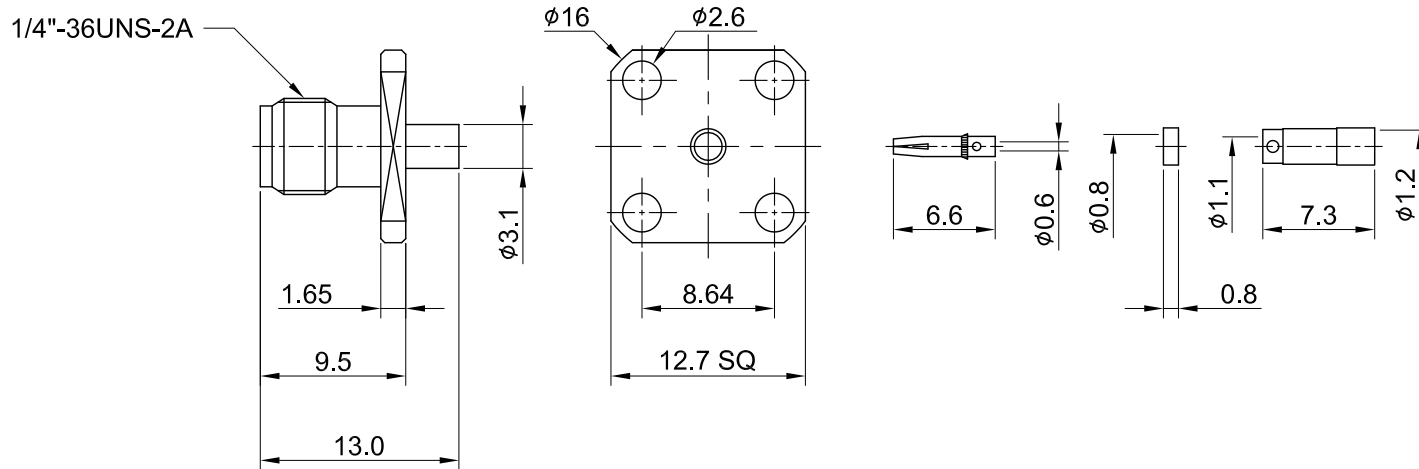


REV	DESCRIPTION	DATE
2.00	CHG SLEEVE FINISH NICKEL W. ALBALOY, CHG STRIP DIM 2.0/0.9/1.5 W. 2.0/1.1/1.5	2012/06/04
2.10	NEW DRAWING FRAME	2023/12/15



RECOMMENDED STRIP LENGTHS



MECHANICAL DATA
 DURABILITY : 500 CYCLES
 TEMPERATURE RANGE : -65°C ~ + 165°C

ELECTRICAL DATA
 FREQUENCY RANGE: DC~6GHZ
 IMPEDANCE : 50Ω
 VSWR : 1.3 MAX.
 WORKING VOLTAGE : AC 170V
 WITHSTANDING VOLTAGE : AC 500V
 INSULATION RESISTANCE : 5000 MΩ MIN

TITLE		SMA(F) 4hole for 1.13cable	
DWG NO.		C02AG31113018A	
CUST. P/N:		N/A	
DWG NO:		N/A	
SHEET 1 of 1		Unit: mm	
GENERAL TOLERANCES		DRAWN BY: Kelly 2023/12/15	
.X ±0.2		CHK'D BY: Maria 2023/12/15	
.XX ±0.2		REV.	
.XXX ±0.2		2.10	
ANGLES N/A		DA2312150003	

NO	DESCRIPTION	MATERIAL	FINISH	Q'TY
05	INSULATOR B	TEFLON	NONE	1
04	SLEEVE	BRASS	NICKEL	1
03	CENTER PIN	Be.Cu	GOLD	1
02	INSULATOR A	TEFLON	NONE	1
01	BODY	BRASS	GOLD	1