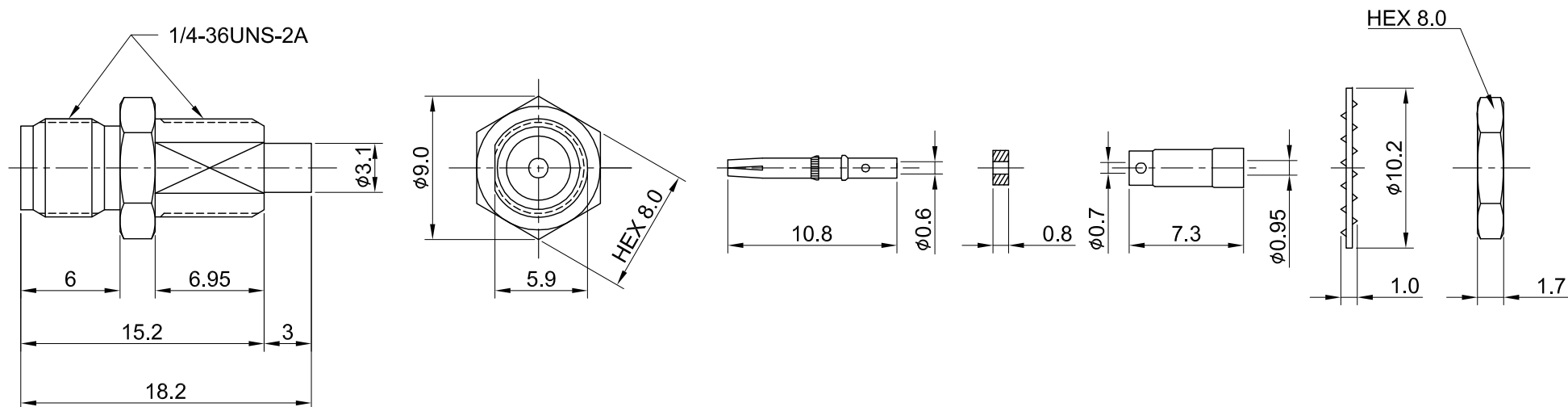
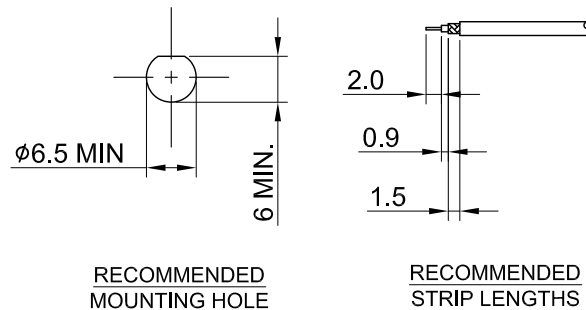


REV	DESCRIPTION	DATE
1.00	INITIAL DESIGN	2016/07/28
1.10	NEW DRAWING FRAME	2024/01/05



MECHANICAL DATA
 DURABILITY : 500 CYCLES
 TEMPERATURE RANGE : -65°C ~ + 165°C

ELECTRICAL DATA
 FREQUENCY RANGE: DC~6GHz
 IMPEDANCE : 50Ω
 VSWR : 1.3 MAX.
 WORKING VOLTAGE : AC 170V
 WITHSTANDING VOLTAGE : AC 500V
 INSULATION RESISTANCE : 5000 MΩ MIN

07	INSULATOR B	TEFLON	NONE	1
06	NUT	BRASS	GOLD	1
05	WASHER	BRASS	GOLD	1
04	SLEEVE	BRASS	NICKEL	1
03	CENTER PIN	Be.Cu	GOLD	1
02	INSULATOR A	TEFLON	NONE	1
01	BODY	BRASS	GOLD	1
NO	DESCRIPTION	MATERIAL	FINISH	Q'TY

TITLE		DRAWN BY: Kelly		2024/01/05
SMA(F)st.bh.front mount for 0.81 cable		CHK'D BY: Chilli		2024/01/05
DWG NO. C02AK31081011B		REVISIONS		REV. 1.10
CUST. P/N: N/A DWG NO: N/A		DA2312260014		
SHEET 1 of 1		Unit: mm		



GENERAL TOLERANCES		DRAWN BY: Kelly		2024/01/05
.X	±0.2	CHK'D BY: Chilli		2024/01/05
.XX	±0.2	REVISIONS		REV. 1.10
.XXX	±0.2	DA2312260014		
ANGLES	N/A			