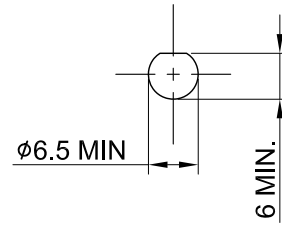
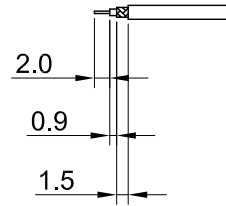


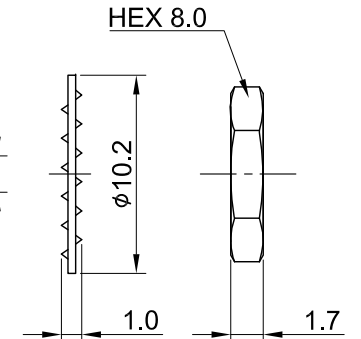
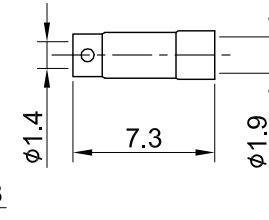
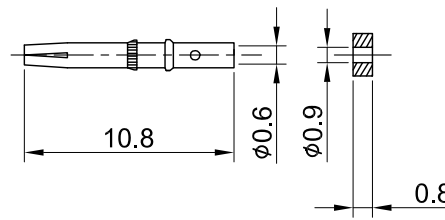
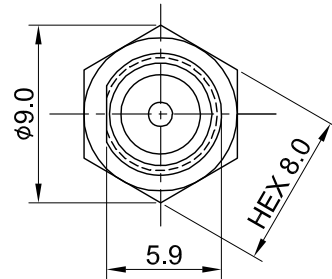
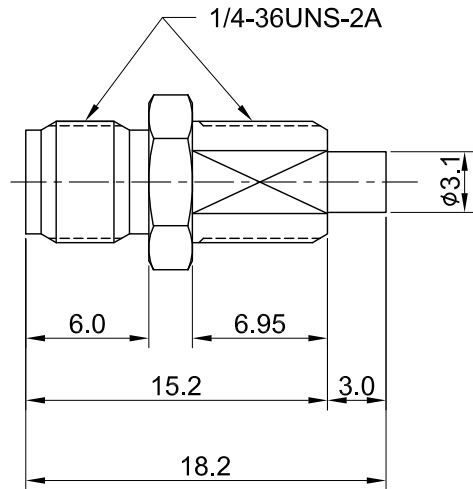
REV	DESCRIPTION	DATE
1.00	INITIAL DESIGN	2016/07/29
1.10	NEW DRAWING FRAME	2024/01/05



RECOMMENDED MOUNTING HOLE



RECOMMENDED STRIP LENGTHS



MECHANICAL DATA  
 DURABILITY : 500 CYCLES  
 TEMPERATURE RANGE : -65°C ~ + 165°C

ELECTRICAL DATA  
 FREQUENCY RANGE: DC~6GHz  
 IMPEDANCE : 50Ω  
 VSWR : 1.3 MAX.  
 WORKING VOLTAGE : AC 170V  
 WITHSTANDING VOLTAGE : AC 500V  
 INSULATION RESISTANCE : 5000 MΩ MIN

07	INSULATOR B	TEFLON	NONE	1
06	NUT	BRASS	GOLD	1
05	WASHER	BRASS	GOLD	1
04	SLEEVE	BRASS	NICKEL	1
03	CENTER PIN	Be.Cu	GOLD	1
02	INSULATOR A	TEFLON	NONE	1
01	BODY	BRASS	GOLD	1
NO	DESCRIPTION	MATERIAL	FINISH	Q'TY

TITLE		DRAWN BY: Kelly		2024/01/05
SMA(F)st.bh.front mount for RG178		CHK'D BY: Chili		2024/01/05
DWG NO. C02AK31178011B		REV.		1.10
CUST. P/N: N/A DWG NO: N/A		DA2312260033		
SHEET 1 of 1		Unit: mm		



GENERAL TOLERANCES	
.X	±0.2
.XX	±0.2
.XXX	±0.2
ANGLES	N/A