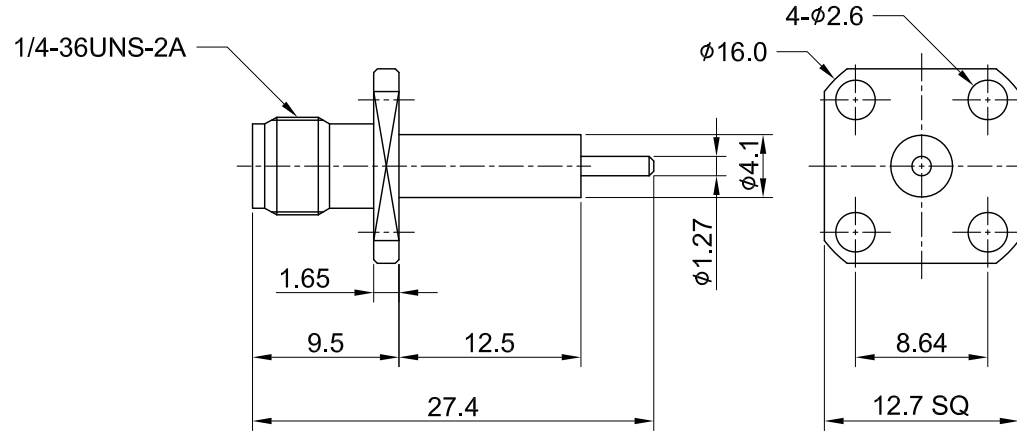


REV	DESCRIPTION	DATE
2.10	NEW DRAWING FRAME	2023/07/19
2.11	CORRECT INSULATION RESISTANCE UNIT	2023/12/22



MECHANICAL DATA  
 DURABILITY : 500 CYCLES  
 TEMPERATURE RANGE : -65°C ~ + 165°C

ELECTRICAL DATA  
 FREQUENCY RANGE: DC~6GHZ  
 IMPEDANCE : 50Ω  
 VSWR : 1.3 MAX.  
 WORKING VOLTAGE : AC 500V  
 WITHSTANDING VOLTAGE : AC 1000V  
 INSULATION RESISTANCE : 5000 MΩ MIN

03	CENTER PIN	Be.Cu	GOLD	1
02	INSULATOR	TEFLON	NONE	1
01	BODY	BRASS	GOLD	1
NO	DESCRIPTION	MATERIAL	FINISH	Q'TY

TITLE SMA receptacle 4holes 12.5mm extended PTFE			
DWG NO. C02AM3106F			
CUST. P/N: N/A DWG NO: N/A		GENERAL TOLERANCES .X ±0.2 .XX ±0.2 .XXX ±0.2 ANGLES N/A	DRAWN BY: Kelly 2023/12/22 CHK'D BY: Eileen 2023/12/22 REV. 2.11
SHEET 1 of 1	Unit: mm		DA2312220001