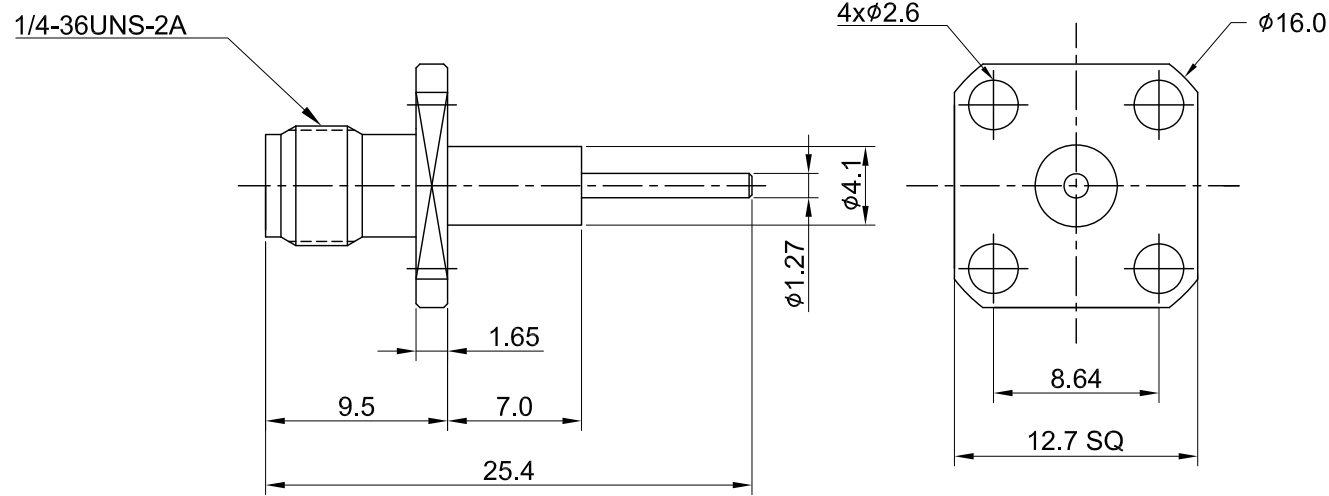


REV	DESCRIPTION	DATE
1.00	INITIAL DESIGN	2023/09/07
1.01	CORRECT INSULATION RESISTANCE	2024/01/18



MECHANICAL DATA
 DURABILITY : 500 CYCLES
 TEMPERATURE RANGE : -65°C ~ + 165°C

ELECTRICAL DATA
 FREQUENCY RANGE: DC~6GHz
 IMPEDANCE : 50Ω
 VSWR : 1.3 MAX.
 WORKING VOLTAGE : AC 500V
 WITHSTANDING VOLTAGE : AC 1000V
 INSULATION RESISTANCE : 5000 MΩ MIN

04	INSULATOR B	TEFLON	NONE	1
03	INSULATOR A	TEFLON	NONE	1
02	PIN	Be Cu	GOLD	1
01	BODY	BRASS	GOLD	1
NO	DESCRIPTION	MATERIAL	FINISH	Q'TY

TITLE
 SMA(F) 4 hole panel SQ12.7 with 7mm extended PTFE, blunt post, total 25.4

DWG NO.
 C02AM3106L

CUST.
 P/N: N/A
 DWG NO: N/A

SHEET 1 of 1 Unit: mm



GENERAL TOLERANCES		DRAWN BY: Lottie 2024/01/18	
.X	±0.2	CHK'D BY: Kelly	2024/01/18
.XX	±0.2		
.XXX	±0.2		
ANGLES	N/A		

	REV.
DA2401020012	1.01