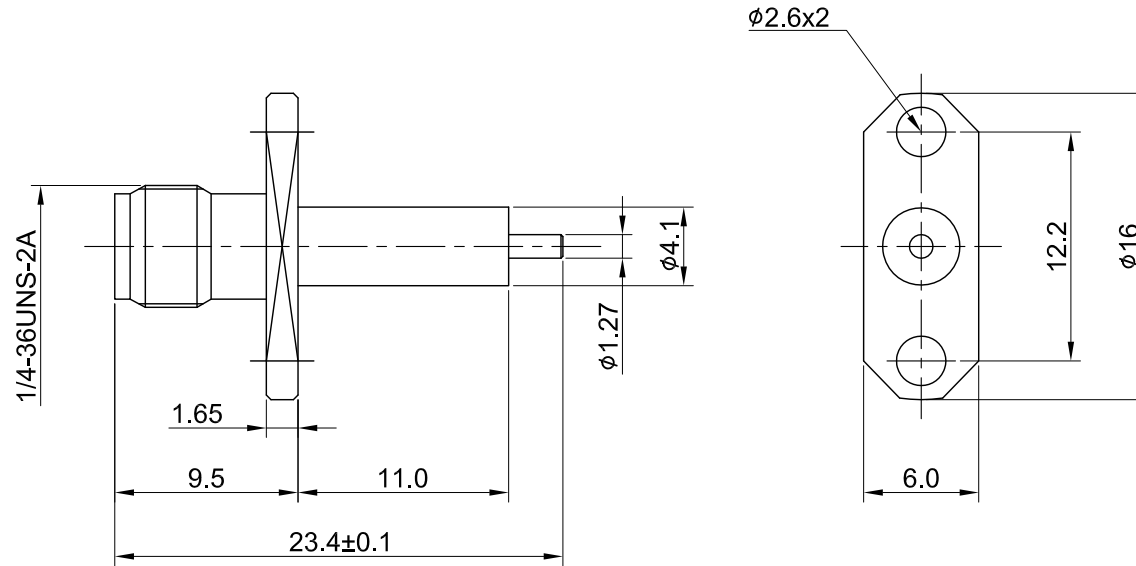



REV	DESCRIPTION	DATE
1.11	ADD NOTE	2018/06/12
1.20	NEW DRAWING FRAME	2023/12/29



MECHANICAL DATA  
 DURABILITY : 100 CYCLES  
 TEMPERATURE RANGE : -65°C ~ + 165°C

ELECTRICAL DATA  
 FREQUENCY RANGE: DC~6GHZ  
 IMPEDANCE : 50Ω  
 VSWR : 1.3 MAX.  
 WORKING VOLTAGE : AC 500V  
 WITHSTANDING VOLTAGE : AC 1000V  
 INSULATION RESISTANCE : 5000 MΩ MIN

04	INSULATOR B	TEFLON	NONE	1
03	CENTER PIN	Be.Cu	GOLD	1
02	INSULATOR A	TEFLON	NONE	1
01	BODY	BRASS	GOLD	1
NO	DESCRIPTION	MATERIAL	FINISH	Q'TY

TITLE		DRAWN BY:	
SMA(F) 2 hole panel with 11mm extended PTFE, blunt post, total 23.4mm		Kelly 2023/12/29	
DWG NO. C02AQ31140-1		CHK'D BY: Maria 2023/12/29	
CUST. P/N: N/A DWG NO: N/A			
SHEET 1 of 1 Unit: mm		GENERAL TOLERANCES .X ±0.2 .XX ±0.2 .XXX ±0.2 ANGLES N/A	
		DA2312260049 REV. 1.20	