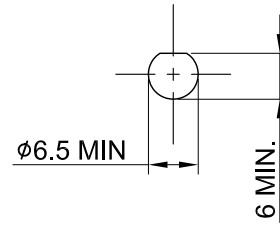
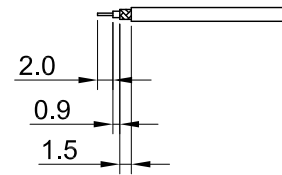


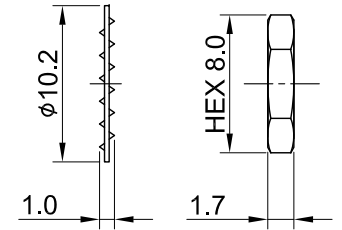
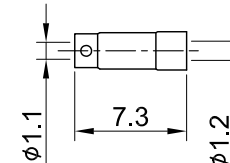
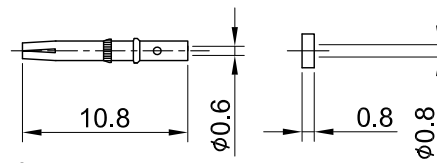
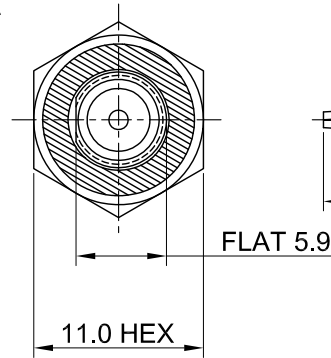
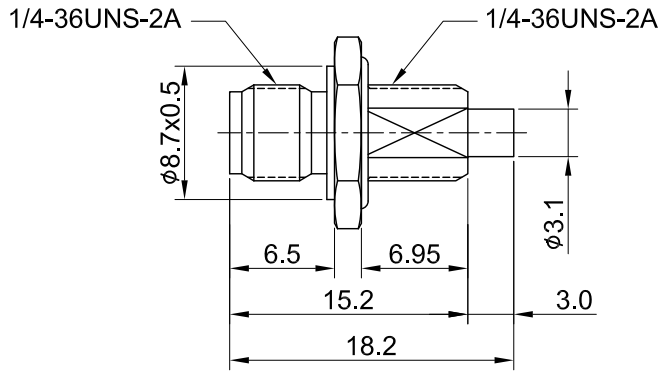
REV	DESCRIPTION	DATE
1.10	ADD DIM 3.0/φ0.8	2023/07/05
1.11	CORRECT INSULATION RESISTANCE UNIT	2023/12/28



RECOMMENDED MOUNTING HOLE



RECOMMENDED STRIP LENGTHS



MECHANICAL DATA
 DURABILITY : 500 CYCLES
 TEMPERATURE RANGE : -65°C ~ + 165°C

ELECTRICAL DATA
 FREQUENCY RANGE: DC~6GHz
 IMPEDANCE : 50Ω
 VSWR : 1.3 MAX.
 WORKING VOLTAGE : AC 170V
 WITHSTANDING VOLTAGE : AC 500V
 INSULATION RESISTANCE : 5000 MΩ MIN

08	INSULATOR B	TEFLON	NONE	1	TITLE	
07	GASKET	SILICONE RUBBER	RED	1	SMA(F)st.bh.front mount w/oring for 1.13, thread 6.95, (flat to flat)	
06	NUT	BRASS	GOLD	1		
05	WASHER	BRASS	GOLD	1	DWG NO.	C02AU31113032B
04	SLEEVE	BRASS	NICKEL	1	CUST. P/N: N/A DWG NO: N/A	
03	INSULATOR A	TEFLON	NONE	1		
02	PIN	Be Cu	GOLD	1		GENERAL TOLERANCES .X ±0.2 .XX ±0.2 .XXX ±0.2 ANGLES N/A
01	BODY	BRASS	GOLD	1		DRAWN BY: Kelly 2023/12/28 CHK'D BY: Eileen 2023/12/28
NO	DESCRIPTION	MATERIAL	FINISH	Q'TY	SHEET 1 of 1	Unit: mm DA2312260059 REV. 1.11