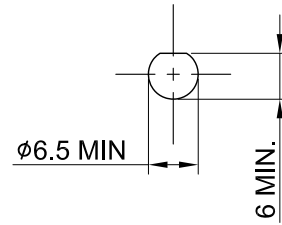
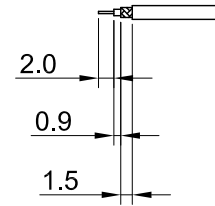


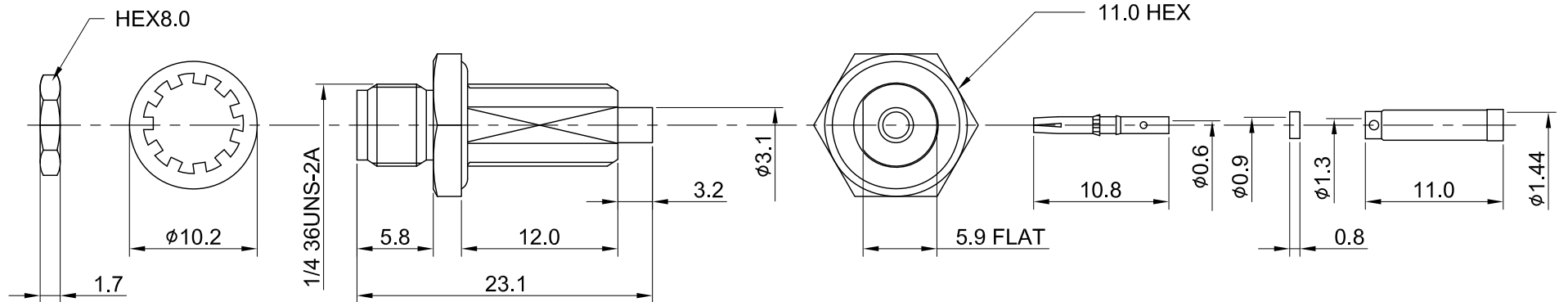
REV	DESCRIPTION	DATE
2.01	ADD ORING RED, CORRECTED FULL MATERIAL NAME SILICON RUBBER	2020/12/30
2.10	NEW DRAWING FRAME	2023/12/28



RECOMMENDED MOUNTING HOLE



RECOMMENDED STRIP LENGTHS



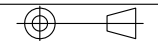
MECHANICAL DATA  
 DURABILITY : 500 CYCLES  
 TEMPERATURE RANGE : -65°C ~ + 165°C

ELECTRICAL DATA  
 FREQUENCY RANGE: DC~6GHz  
 IMPEDANCE : 50Ω  
 VSWR : 1.3 MAX.  
 WORKING VOLTAGE : AC 170V  
 WITHSTANDING VOLTAGE : AC 500V  
 INSULATION RESISTANCE : 5000 MΩ MIN

08	INSULATOR B	TEFLON	NONE	1	TITLE SMA(F)bh.(Front Mount)with Oring for 1.37																
07	SLEEVE	BRASS	NICKEL	1																	
06	NUT	BRASS	GOLD	1	DWG NO. C02AU31137032																
05	WASHER	BRASS	GOLD	1																	
04	GASKET	SILICONE RUBBER	RED	1	CUST. P/N: N/A DWG NO: N/A																
03	CENTER PIN	Be.Cu	GOLD	1																	
02	INSULATOR A	TEFLON	NONE	1	<table border="0"> <tr> <td>GENERAL TOLERANCES</td> <td>DRAWN BY: Kelly</td> <td>2023/12/28</td> </tr> <tr> <td>.X ±0.2</td> <td>CHK'D BY: Maria</td> <td>2023/12/28</td> </tr> <tr> <td>.XX ±0.2</td> <td></td> <td></td> </tr> <tr> <td>.XXX ±0.2</td> <td></td> <td></td> </tr> <tr> <td>ANGLES N/A</td> <td></td> <td></td> </tr> </table>		GENERAL TOLERANCES	DRAWN BY: Kelly	2023/12/28	.X ±0.2	CHK'D BY: Maria	2023/12/28	.XX ±0.2			.XXX ±0.2			ANGLES N/A		
GENERAL TOLERANCES	DRAWN BY: Kelly	2023/12/28																			
.X ±0.2	CHK'D BY: Maria	2023/12/28																			
.XX ±0.2																					
.XXX ±0.2																					
ANGLES N/A																					
01	BODY	BRASS	GOLD	1	<table border="0"> <tr> <td>SHEET 1 of 1</td> <td>Unit: mm</td> <td>REV.</td> </tr> <tr> <td></td> <td></td> <td>2.10</td> </tr> </table>		SHEET 1 of 1	Unit: mm	REV.			2.10									
SHEET 1 of 1	Unit: mm	REV.																			
		2.10																			
NO	DESCRIPTION	MATERIAL	FINISH	Q'TY	DA2312260060																



DRAWN BY: Kelly 2023/12/28  
 CHK'D BY: Maria 2023/12/28



REV. 2.10