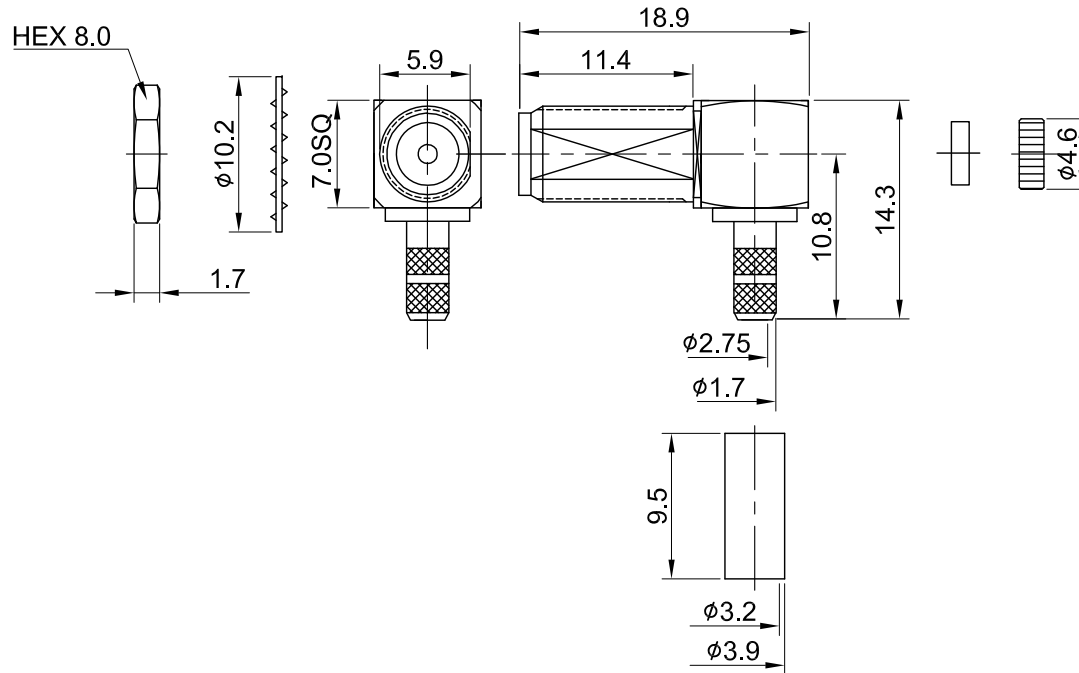
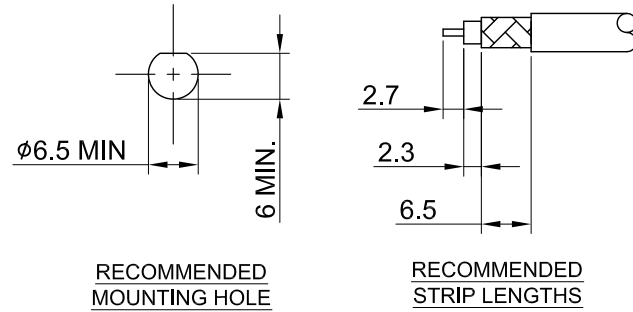


REV	DESCRIPTION	DATE
1.00	INITIAL DESIGN	2015/01/21
1.10	NEW DRAWING FRAME	2024/01/09



MECHANICAL DATA  
 DURABILITY : 500 CYCLES  
 TEMPERATURE RANGE : -65°C ~ + 165°C

ELECTRICAL DATA  
 FREQUENCY RANGE: DC~6GHz  
 IMPEDANCE : 50Ω  
 VSWR : 1.5 MAX.  
 WORKING VOLTAGE : AC 375V  
 WITHSTANDING VOLTAGE : AC 750V  
 INSULATION RESISTANCE : 5000 MΩ MIN

08	INSULATOR B	TEFLON	NONE	1	TITLE	
07	FERRULE	BRASS	GOLD	1	SMA(F) bh. ra. crimp type for RG174	
06	NUT	BRASS	GOLD	1	DWG NO.	
05	WASHER	BRASS	GOLD	1	C02BB31174017A	
04	CAP	BRASS	GOLD	1	CUST.	
03	CENTER PIN	Be.Cu	GOLD	1	P/N: N/A	
02	INSULATOR A	TEFLON	NONE	1	DWG NO: N/A	
01	BODY	BRASS	GOLD	1	SHEET 1 of 1 Unit: mm	
NO	DESCRIPTION	MATERIAL	FINISH	Q'TY	SHEET 1 of 1 Unit: mm	



**Wellshow**

GENERAL TOLERANCES

.X	±0.2
.XX	±0.2
.XXX	±0.2
ANGLES	N/A

DRAWN BY: Kelly 2024/01/09

CHK'D BY: Eileen 2024/01/09

REV. 1.10

DA2312250032