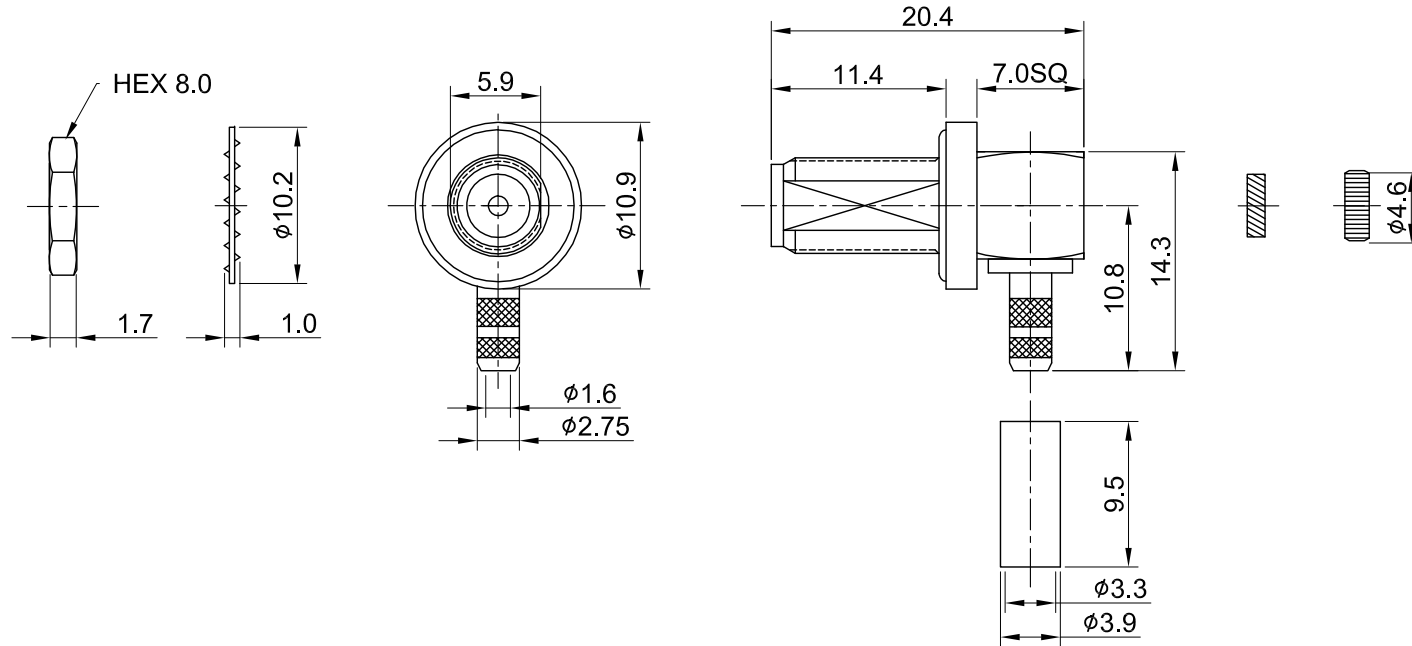
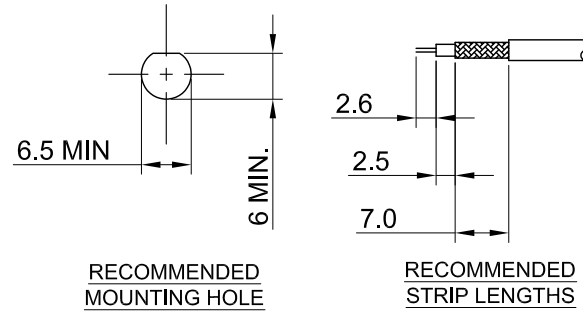


REV	DESCRIPTION	DATE
1.00	INITIAL DESIGN	2023/05/05
1.01	CORRECT INSULATION RESISTANCE UNIT	2024/03/13



MECHANICAL DATA
 DURABILITY : 500 CYCLES
 TEMPERATURE RANGE : -65°C ~ + 165°C

DIELECTRICAL DATA
 FREQUENCY RANGE: DC~6GHz
 IMPEDANCE : 50Ω
 VSWR : 1.5 MAX.
 WORKING VOLTAGE : AC 375V
 WITHSTANDING VOLTAGE : AC 750V
 INSULATION RESISTANCE : 5000 MΩ MIN

09	Oring	SILICONE RUBBER	RED	1
08	INSULATOR B	TEFLON	NONE	1
07	FERRULE	BRASS	GOLD	1
06	WASHER	BRASS	GOLD	1
05	NUT	BRASS	GOLD	1
04	CAP	BRASS	GOLD	1
03	INSULATOR A	TEFLON	NONE	1
02	PIN	Be Cu	GOLD	1
01	BODY	BRASS	GOLD	1
NO	DESCRIPTION	MATERIAL	FINISH	Q'TY

TITLE
 SMA(F) ra. bh.w/o-ring crimp for LMR100/CFD100, thread length 11.4mm, one D-flat

DWG NO.
 C02BD31L10073-1A

CUST.
 P/N: N/A
 DWG NO: N/A

SHEET 1 of 1 Unit: mm



GENERAL TOLERANCES		DRAWN BY: Kelly 2024/03/13	
.X	±0.2	CHK'D BY: Una	2024/03/13
.XX	±0.2		
.XXX	±0.2		
ANGLES	N/A		
		REV.	1.01
		DA2401180012	