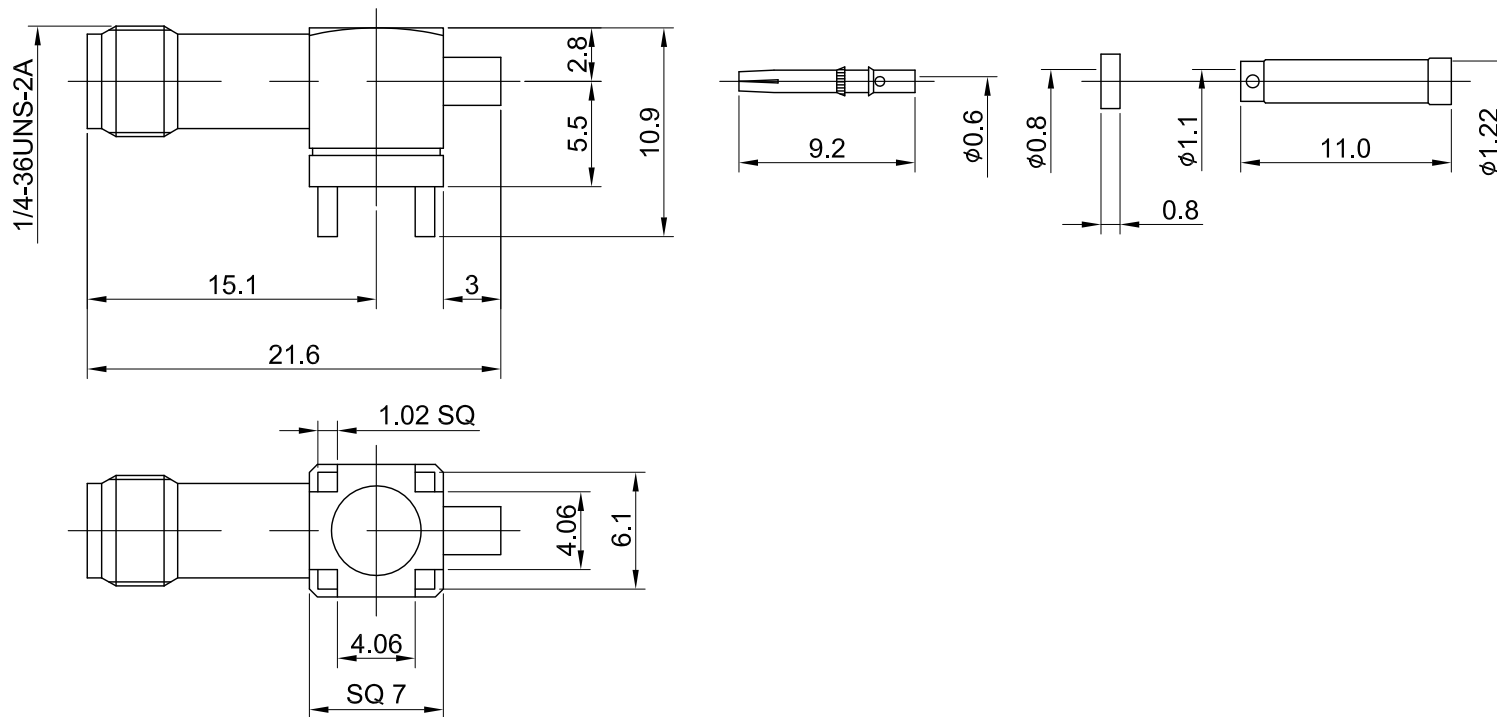
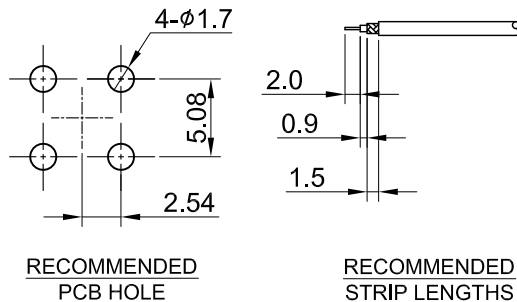


REV	DESCRIPTION	DATE
2.00	CHG SLEEVE FINISH NICKEL W. ALBALOY	2017/05/24
2.10	NEW DRAWING FRAME	2024/01/15



MECHANICAL DATA
 DURABILITY : 500 CYCLES
 TEMPERATURE RANGE : -65°C ~ + 165°C

ELECTRICAL DATA
 FREQUENCY RANGE: DC~6GHz
 IMPEDANCE : 50Ω
 VSWR : 1.5 MAX.
 WORKING VOLTAGE : AC 170V
 WITHSTANDING VOLTAGE : AC 500V
 INSULATION RESISTANCE : 5000 MΩ MIN

TITLE
 SMA(F) st. PCB crimp type for 1.13, total L21.6 (側高10.9)

05	INSULATOR B	TEFLON	NONE	1
04	SLEEVE	BRASS	NICKEL	1
03	CENTER PIN	Be.Cu	GOLD	1
02	INSULATOR A	TEFLON	NONE	1
01	BODY	BRASS	GOLD	1
NO	DESCRIPTION	MATERIAL	FINISH	Q'TY

DWG NO.
 C02BI31113015G

CUST.
 P/N: N/A
 DWG NO: N/A

SHEET 1 of 1 Unit: mm



GENERAL TOLERANCES		DRAWN BY: Kelly 2024/01/15	
.X	±0.2		REV. 1.10
.XX	±0.2		
.XXX	±0.2		
ANGLES	N/A		DA2312260051

CHK'D BY: Chili 2024/01/15