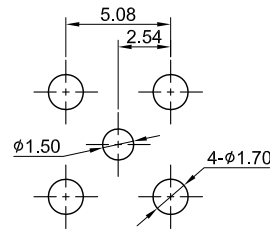
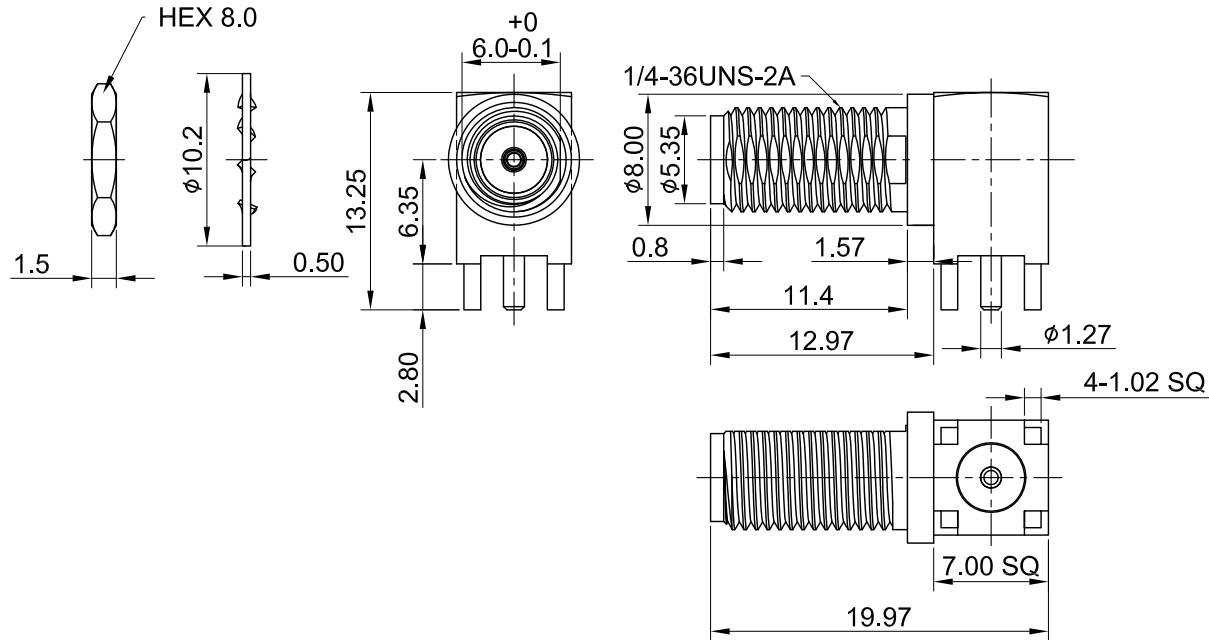


REV	DESCRIPTION	DATE
1.10	NEW DRAWING FRAME	2023/09/21
2.20	ADD ELECTRICAL DATA	2024/08/05



RECOMMENDED
PCB LAYOUT



MECHANICAL DATA
DURABILITY : 500 CYCLES
TEMPERATURE RANGE : -65°C ~ + 165°C

ELECTRICAL DATA
FREQUENCY RANGE: DC~6GHz
IMPEDANCE : 50Ω
VSWR : 1.5 MAX.
WORKING VOLTAGE : AC 500V
WITHSTANDING VOLTAGE : AC 1000V
INSULATION RESISTANCE : 5000 MΩ MIN

NO	DESCRIPTION	MATERIAL	FINISH	Q'TY	TITLE	
07	NUT	BRASS	GOLD	1	SMA(F) bh. ra. for PCB	
06	WASHER	BRASS	GOLD	1	SMA(F) bh. ra. for PCB	
05	INSULATOR B	TEFLON	NONE	1	SMA(F) bh. ra. for PCB	
04	INSULATOR A	TEFLON	NONE	1	SMA(F) bh. ra. for PCB	
03	CENTER	Be.Cu	GOLD	1	SMA(F) bh. ra. for PCB	
02	BODY	BRASS	GOLD	1	SMA(F) bh. ra. for PCB	
01	HOUSING	BRASS	GOLD	1	SMA(F) bh. ra. for PCB	
NO	DESCRIPTION	MATERIAL	FINISH	Q'TY	SHEET 1 of 1	Unit: mm

DWG NO. C02BOWSP00202B			DRAWN BY: Kelly 2024/08/05	
CUST. P/N: N/A DWG NO: N/A			CHK'D BY: Mindy 2024/08/05	
GENERAL TOLERANCES .X ±0.2 .XX ±0.2 .XXX ±0.2 ANGLES N/A			REV. 2.20	
DA2408050013				