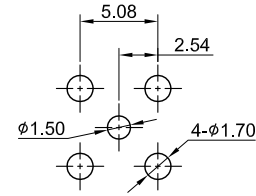
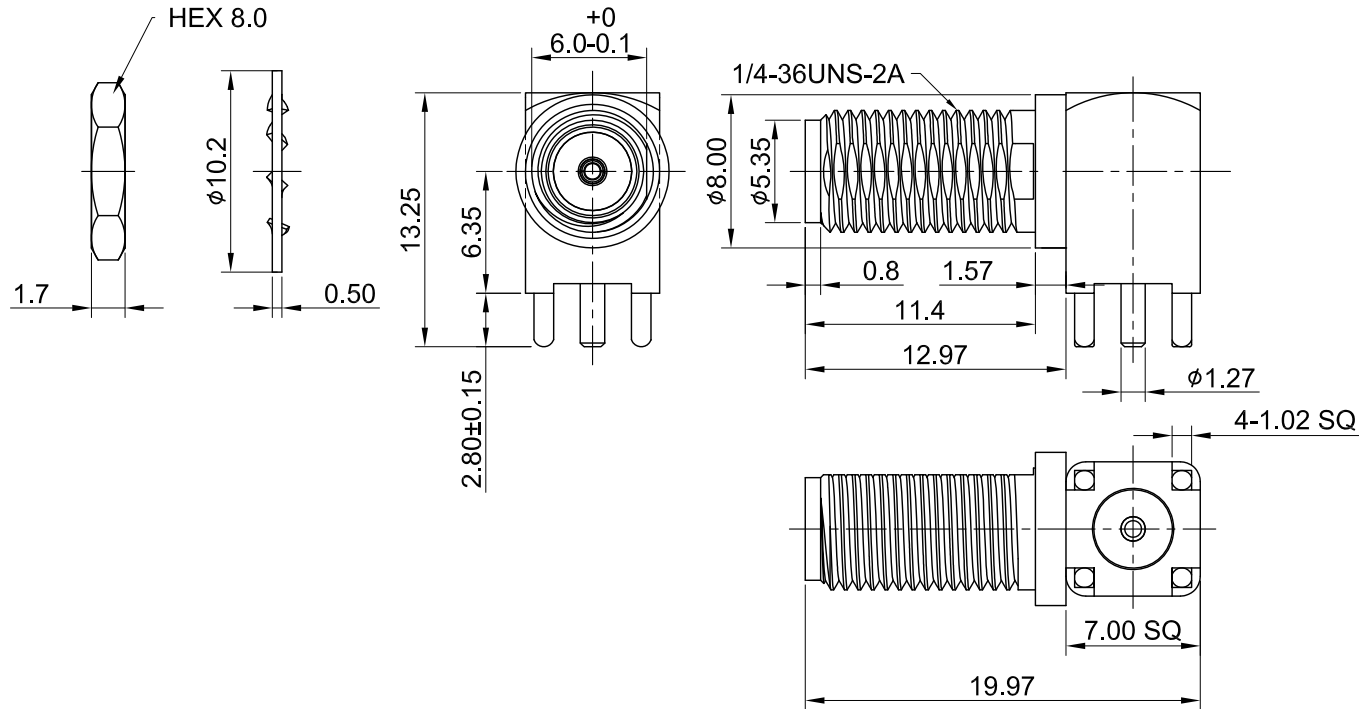


REV	DESCRIPTION	DATE
1.10	NEW DRAWING FRAME	2023/06/12
1.20	ADD MECHANICAL DATA & ELECTRICAL DATA	2024/08/05



RECOMMENDED
PCB LAYOUT



MECHANICAL DATA
DURABILITY : 100 CYCLES
TEMPERATURE RANGE : -65°C ~ + 165°C

ELECTRICAL DATA
FREQUENCY RANGE: DC~6GHz
IMPEDANCE : 50Ω
VSWR : 1.3 MAX.
WORKING VOLTAGE : AC 500V
WITHSTANDING VOLTAGE : AC 1000V
INSULATION RESISTANCE : 5000 MΩ MIN

NO	DESCRIPTION	MATERIAL	FINISH	Q'TY	TITLE	SHEET	1 of 1	Unit: mm
07	NUT	BRASS	GOLD	1	SMA(F) ra. bh. for PCB, brass pin	DWG NO. C02BOWSP00202B-2	CUST. P/N: N/A DWG NO: N/A	GENERAL TOLERANCES .X ±0.2 .XX ±0.2 .XXX ±0.2 ANGLES N/A
06	WASHER	BRASS	GOLD	1				
05	INSULATOR B	TEFLON	NONE	1	DRAWN BY: Kelly 2024/08/05	CHK'D BY: Mindy 2024/08/05		REV. 1.20
04	INSULATOR A	TEFLON	NONE	1				
03	CONTACT	BRASS	GOLD	1	DA2408050014			
02	BODY	BRASS	GOLD	1				
01	HOUSING	BRASS	GOLD	1				



DRAWN BY: Kelly 2024/08/05
CHK'D BY: Mindy 2024/08/05

REV.
1.20