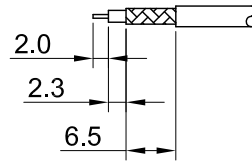
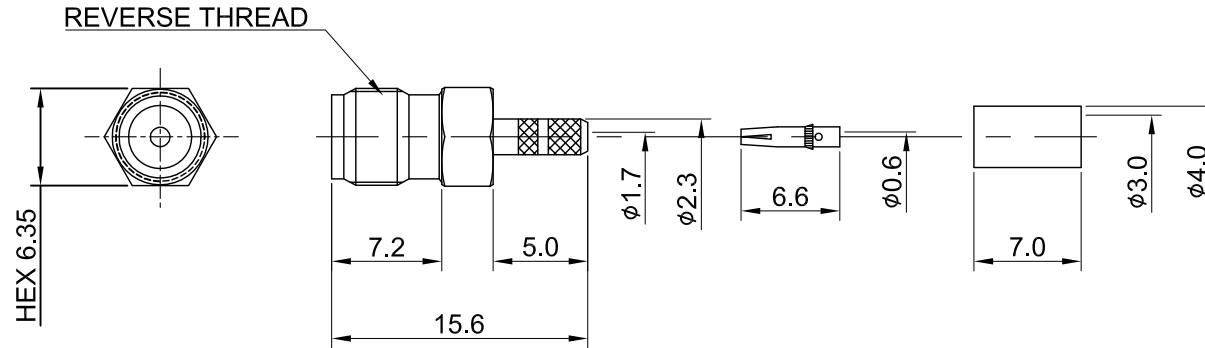


REV	DESCRIPTION	DATE
1.00	INITIAL DESIGN	2012/06/03
1.10	NEW DRAWING FRAME	2024/01/12



RECOMMENDED
STRIP LENGTHS



MECHANICAL DATA
DURABILITY : 500 CYCLES
TEMPERATURE RANGE : -65°C ~ + 165°C

ELECTRICAL DATA
FREQUENCY RANGE: DC~6GHZ
IMPEDANCE : 50Ω
VSWR : 1.3 MAX.
WORKING VOLTAGE : AC 375V
WITHSTANDING VOLTAGE : AC 750V
INSULATION RESISTANCE : 5000 MΩ MIN

04	FERRULE	BRASS	NICKEL	1
03	CENTER PIN	Be.Cu	GOLD	1
02	INSULATOR	TEFLON	NONE	1
01	BODY	BRASS	NICKEL	1
NO	DESCRIPTION	MATERIAL	FINISH	Q'TY

TITLE		DRAWN BY: Kelly		2024/01/12	
SMA(F) st. crimp for RG316(Nickel), reverse thread		CHK'D BY: Maria		2024/01/12	
DWG NO. C02CA31174096		GENERAL TOLERANCES		REVISION	
CUST. P/N: N/A		.X ±0.2		REV.	
DWG NO: N/A		.XX ±0.2		1.10	
SHEET 1 of 1		.XXX ±0.2		DA2312270010	
Unit: mm		ANGLES N/A			

