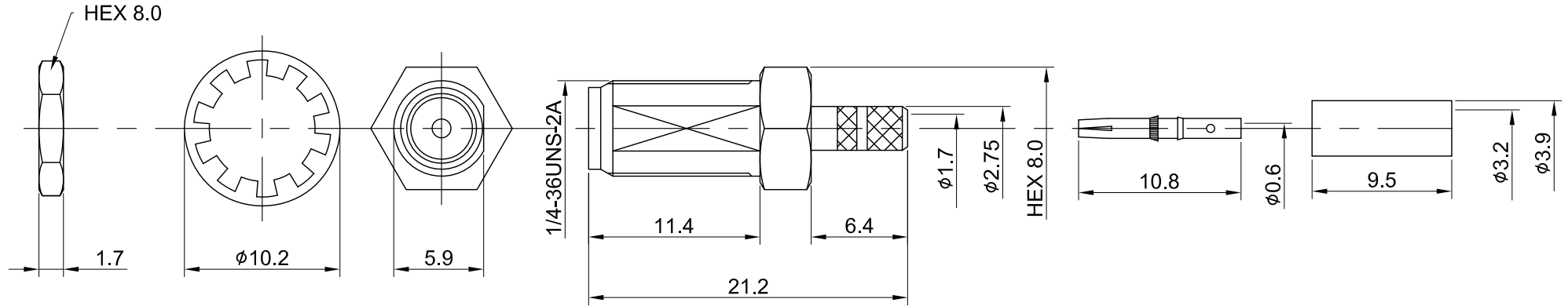
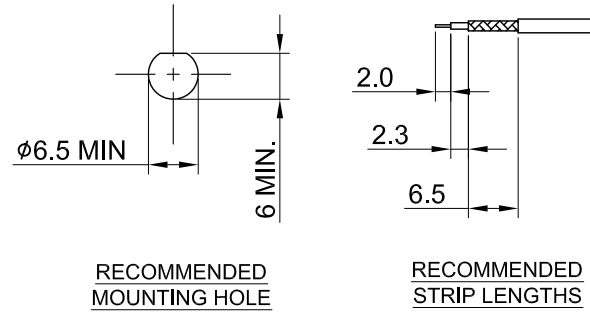


REV	DESCRIPTION	DATE
A	INITIAL DESIGN	2009/11/17
1.10	NEW DRAWING FRAME	2024/01/02



MECHANICAL DATA
 DURABILITY : 500 CYCLES
 TEMPERATURE RANGE : -65°C ~ + 165°C

ELECTRICAL DATA
 FREQUENCY RANGE: DC~6GHz
 IMPEDANCE : 50Ω
 VSWR : 1.3 MAX.
 WORKING VOLTAGE : AC 375V
 WITHSTANDING VOLTAGE : AC 750V
 INSULATION RESISTANCE : 5000 MΩ MIN

06	NUT	BRASS	NICKEL	1
05	WASHER	BRASS	NICKEL	1
04	FERRULE	BRASS	NICKEL	1
03	CENTER PIN	Be.Cu	GOLD	1
02	INSULATOR	TEFLON	NONE	1
01	BODY	BRASS	NICKEL	1
NO	DESCRIPTION	MATERIAL	FINISH	Q'TY

TITLE		DRAWN BY:		CHK'D BY:		REVISION	
SMA(F) bh. for crimp for RG174 (Ni)		Kelly		Maria		2024/01/02	
DWG NO. C02CB31174003C		DRAWN BY: Kelly		CHK'D BY: Maria		2024/01/02	
CUST. P/N: N/A DWG NO: N/A		DRAWN BY: Kelly		CHK'D BY: Maria		2024/01/02	
SHEET 1 of 1		Unit: mm		DA2312270014		REV. 1.10	



GENERAL TOLERANCES		DRAWN BY:		CHK'D BY:		REVISION	
.X	±0.2	Kelly		Maria		2024/01/02	
.XX	±0.2						
.XXX	±0.2						
ANGLES	N/A						