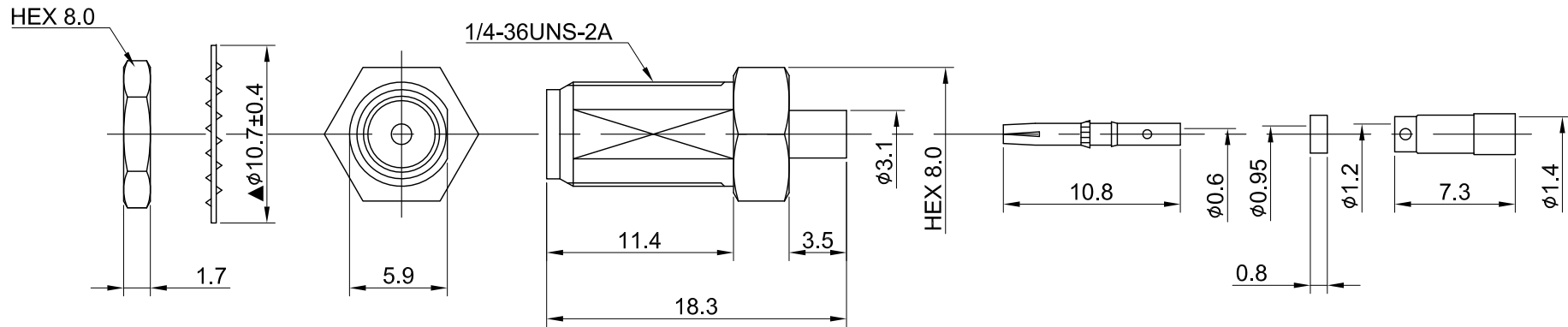
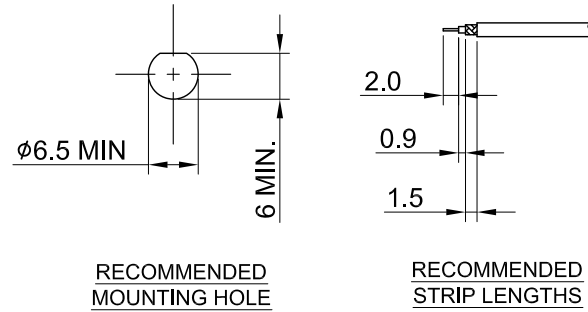


REV	DESCRIPTION	DATE
1.00	INITIAL DESIGN	2024/03/06
1.10	CHG $\phi 10.7$ W. $\phi 10.2$	2024/03/20



MECHANICAL DATA
 DURABILITY : 500 CYCLES
 TEMPERATURE RANGE : -65°C ~ + 165°C

ELECTRICAL DATA
 FREQUENCY RANGE: DC~6GHz
 IMPEDANCE : 50 Ω
 VSWR : 1.3 MAX.
 WORKING VOLTAGE : AC 170V
 WITHSTANDING VOLTAGE : AC 500V
 INSULATION RESISTANCE : 5000 M Ω MIN

07	NUT	STAINLESS STEEL	PASSIVATED	1
06	WASHER	STAINLESS STEEL	PASSIVATED	1
05	SLEEVE	BRASS	NICKEL	1
04	INSULATOR B	TEFLON	NONE	1
03	PIN	Be.Cu	GOLD	1
02	INSULATOR A	TEFLON	NONE	1
01	BODY	STAINLESS STEEL	PASSIVATED	1
NO	DESCRIPTION	MATERIAL	FINISH	Q'TY

TITLE		DRAWN BY: Kelly		2024/03/20
SMA(F) bh. for 1.32, SUS/Passivated		CHK'D BY: Maria		2024/03/20
DWG NO. C02EB31132003		REVISIONS		
CUST. P/N: N/A		DA2403200008		REV. 1.10
DWG NO: N/A		Unit: mm		
SHEET 1 of 1		GENERAL TOLERANCES		
		.X ± 0.2		
		.XX ± 0.2		
		.XXX ± 0.2		
		ANGLES N/A		

