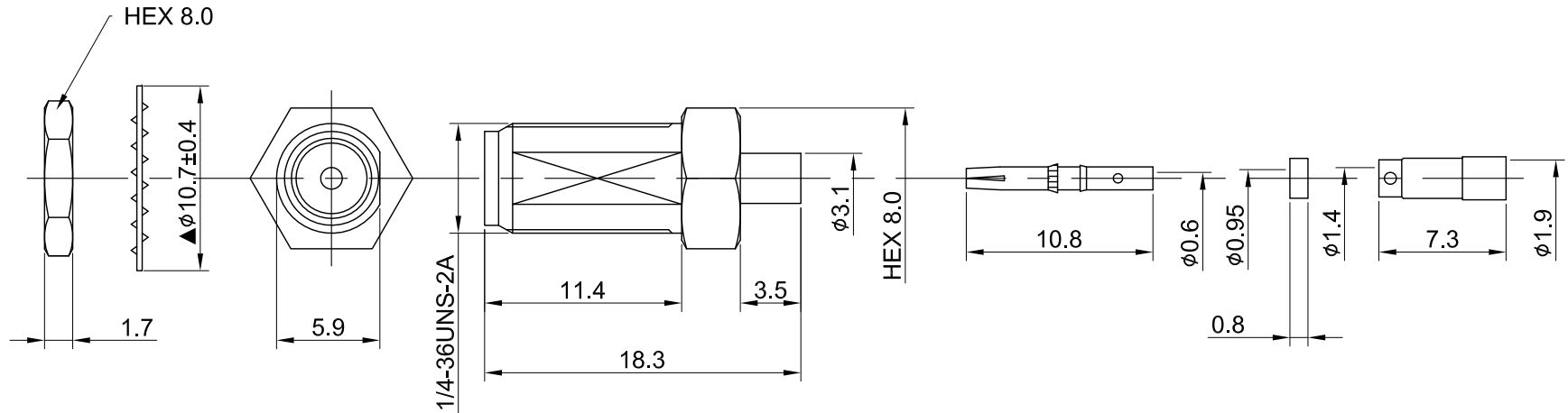
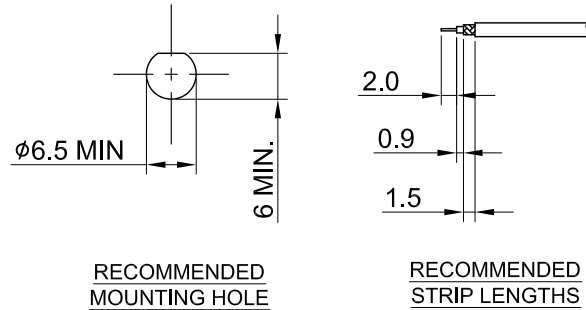


| REV | DESCRIPTION | DATE |
|------|--------------------------------|------------|
| 1.00 | INITIAL DESIGN | 2024/02/05 |
| 1.10 | CHG $\phi 10.7$ W. $\phi 10.4$ | 2024/03/18 |



MECHANICAL DATA
 DURABILITY : 500 CYCLES
 TEMPERATURE RANGE : -65°C ~ + 165°C

ELECTRICAL DATA
 FREQUENCY RANGE: DC~6GHz
 IMPEDANCE : 50Ω
 VSWR : 1.3 MAX.
 WORKING VOLTAGE : AC 170V
 WITHSTANDING VOLTAGE : AC 500V
 INSULATION RESISTANCE : 5000 MΩ MIN

| NO | DESCRIPTION | MATERIAL | FINISH | Q'TY |
|----|-------------|-----------------|-----------|------|
| 07 | NUT | STAINLESS STEEL | PASSIVAED | 1 |
| 06 | WASHER | STAINLESS STEEL | PASSIVAED | 1 |
| 05 | SLEEVE | BRASS | NICKEL | 1 |
| 04 | INSULATOR B | TEFLON | NONE | 1 |
| 03 | PIN | Be.Cu | GOLD | 1 |
| 02 | INSULATOR A | TEFLON | NONE | 1 |
| 01 | BODY | STAINLESS STEEL | PASSIVAED | 1 |

| TITLE | | DRAWN BY: Kelly | | 2024/03/18 |
|--------------------------------------|--|--------------------|--|------------|
| SMA(F) bh. for RG178, SUS/Passivated | | CHK'D BY: Maria | | 2024/03/18 |
| DWG NO. C02EB31178003 | | REVISIONS | | REV. 1.10 |
| CUST. P/N: N/A DWG NO: N/A | | DA2403180008 | | |
| SHEET 1 of 1 Unit: mm | | GENERAL TOLERANCES | | |
| | | .X ±0.2 | | |
| | | .XX ±0.2 | | |
| | | .XXX ±0.2 | | |
| | | ANGLES N/A | | |

