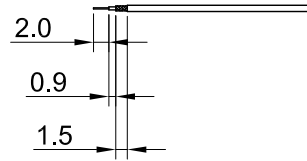
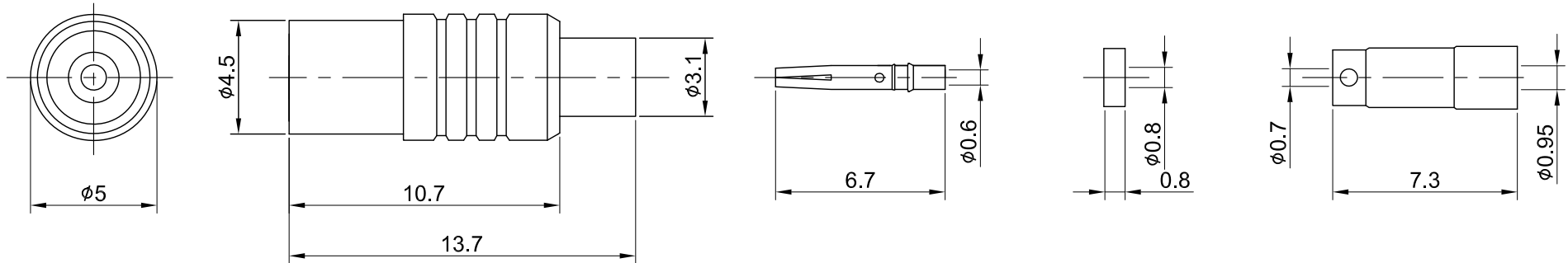


REV	DESCRIPTION	DATE
1.20	ADD DIMENSION $\phi 0.7 / \phi 0.95 / 10.7 / \phi 5.0$	2023/06/20
1.21	CORRECT INSULATION RESISTANCE	2024/05/09



RECOMMENDED STRIP LENGTHS



MECHANICAL DATA  
 DURABILITY : 500 CYCLES  
 TEMPERATURE RANGE : -65°C ~ + 165°C

ELECTRICAL DATA  
 FREQUENCY RANGE: DC~6GHz  
 IMPEDANCE : 50Ω  
 VSWR : 1.3 MAX.  
 WORKING VOLTAGE : AC 170V  
 WITHSTANDING VOLTAGE : AC 500V  
 INSULATION RESISTANCE : 5000 MΩ MIN

TITLE
MCX(F) st. for 0.81mm cable

NO	DESCRIPTION	MATERIAL	FINISH	Q'TY
04	SLEEVE	BRASS	NICKEL	1
03	INSULATOR B	TEFLON	NONE	1
02	PIN	Be.Cu	GOLD	1
01	INSULATOR A	TEFLON	NONE	1
	BODY	BRASS	GOLD	1

DWG NO.	C08AA31081008D
CUST.	
P/N:	N/A
DWG NO:	N/A
SHEET	1 of 1
Unit:	mm

GENERAL TOLERANCES

.X ±0.2

.XX ±0.2

.XXX ±0.2

ANGLES N/A

DRAWN BY: Lottie 2024/05/09

CHK'D BY: Kelly 2024/05/09

REV.

DA2401160024 1.21