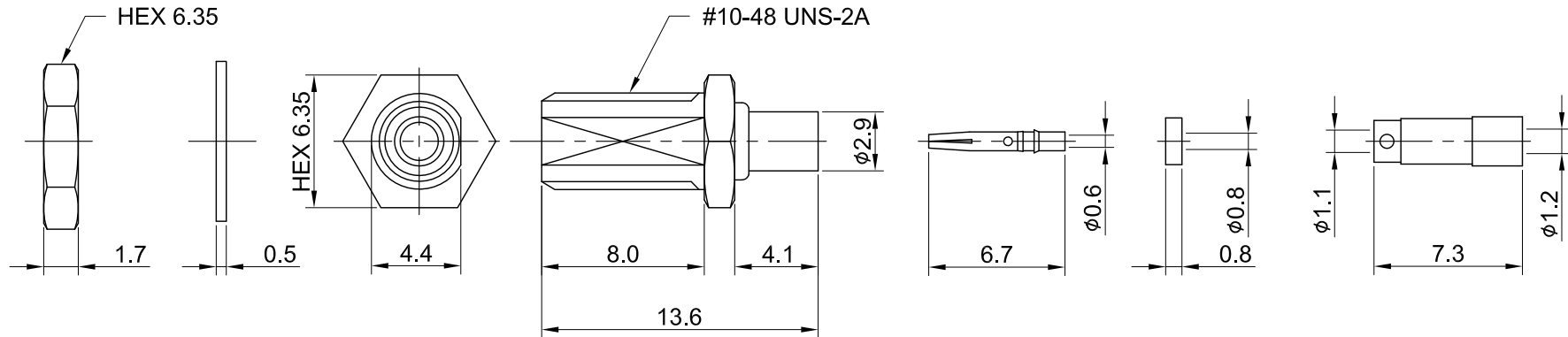
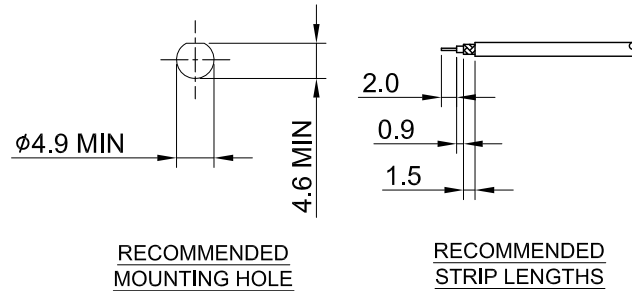


REV	DESCRIPTION	DATE
2.10	NEW DRAWING FRAME	2023/06/26
2.20	CORRECT INSULATION RESISTANCE & MOUNTING HOLE, UPDATE THREAD	2024/03/14



MECHANICAL DATA
 DURABILITY : 500 CYCLES
 TEMPERATURE RANGE : -65°C ~ + 165°C

ELECTRICAL DATA
 FREQUENCY RANGE: DC~6GHZ
 IMPEDANCE : 50Ω
 VSWR : 1.3 MAX.
 WORKING VOLTAGE : AC 170V
 WITHSTANDING VOLTAGE : AC 500V
 INSULATION RESISTANCE : 5000 MΩ MIN

06	WASHER	BRASS	GOLD	1
05	NUT	BRASS	GOLD	1
04	SLEEVE	BRASS	NICKEL	1
03	PIN	Be.Cu	GOLD	1
02	INSULATOR	TEFLON	NONE	1
01	BODY	BRASS	GOLD	1
NO	DESCRIPTION	MATERIAL	FINISH	Q'TY

TITLE		DRAWN BY:	
MCX(F) bh. crimp type for1.13		Lottie	2024/03/14
DWG NO.		CHK'D BY:	
C08AB31113002B-1		Kelly	2024/03/14
CUST.		GENERAL TOLERANCES	
P/N: N/A		.X	±0.2
DWG NO: N/A		.XX	±0.2
SHEET 1 of 1		.XXX	±0.2
Unit: mm		ANGLES	N/A
		DA2401160017	
		REV. 2.20	

