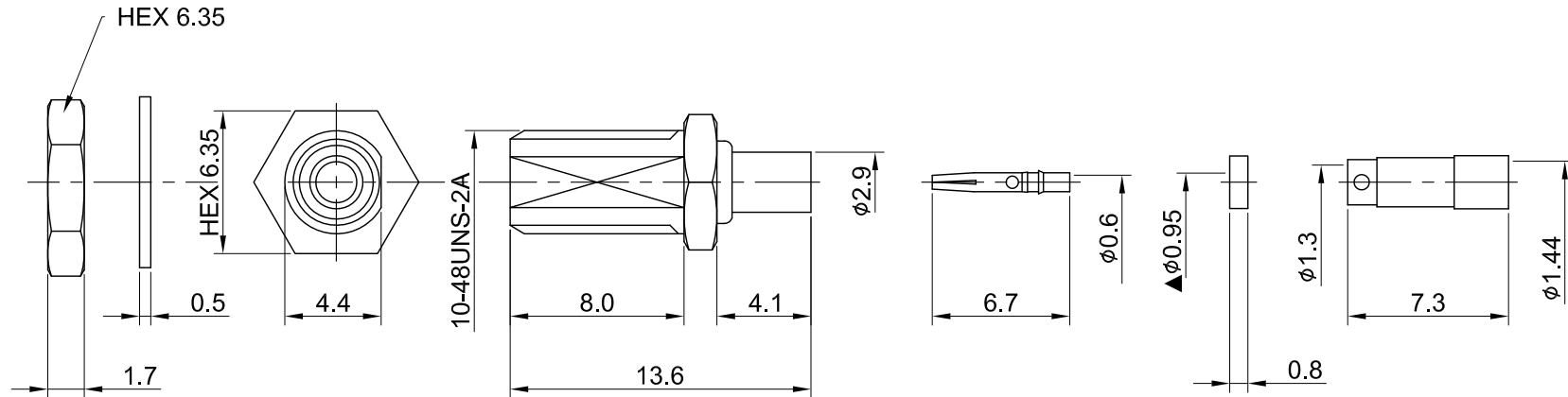
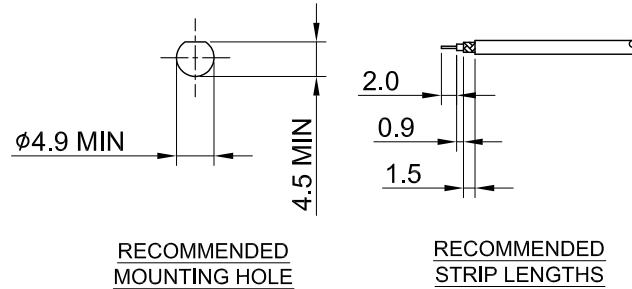


REV	DESCRIPTION	DATE
2.30	NEW DRAWING FRAME	2023/06/26
2.31	CORRECT INSULATION RESISTANCE UNIT / $\phi 0.95$ W. $\phi 0.9$	2024/01/17



MECHANICAL DATA
 DURABILITY : 500 CYCLES
 TEMPERATURE RANGE : -65°C ~ + 165°C

ELECTRICAL DATA
 FREQUENCY RANGE: DC~6GHz
 IMPEDANCE : 50Ω
 VSWR : 1.3 MAX.
 WORKING VOLTAGE : AC 170V
 WITHSTANDING VOLTAGE : AC 500V
 INSULATION RESISTANCE : 1000 MΩ MIN

06	WASHER	BRASS	GOLD	1
05	NUT	BRASS	GOLD	1
04	SLEEVE	BRASS	NICKEL	1
03	PIN	Be.Cu	GOLD	1
02	INSULATOR	TEFLON	NONE	1
01	BODY	BRASS	GOLD	1
NO	DESCRIPTION	MATERIAL	FINISH	Q'TY

TITLE		DRAWN BY:		CHK'D BY:		REVISION	
MCX(F) bh. crimp type for 1.37		Kelly		David		2024/01/17	
DWG NO. C08AB31137002B-1		DAVID		DAVID		2024/01/17	
CUST. P/N: N/A		DAVID		DAVID		2024/01/17	
DWG NO: N/A		DAVID		DAVID		2024/01/17	
SHEET 1 of 1		DAVID		DAVID		2024/01/17	
Unit: mm		DAVID		DAVID		2024/01/17	
GENERAL TOLERANCES		DAVID		DAVID		2024/01/17	
.X ±0.2		DAVID		DAVID		2024/01/17	
.XX ±0.2		DAVID		DAVID		2024/01/17	
.XXX ±0.2		DAVID		DAVID		2024/01/17	
ANGLES N/A		DAVID		DAVID		2024/01/17	
DA2401110006		DAVID		DAVID		2024/01/17	
2.31		DAVID		DAVID		2024/01/17	

