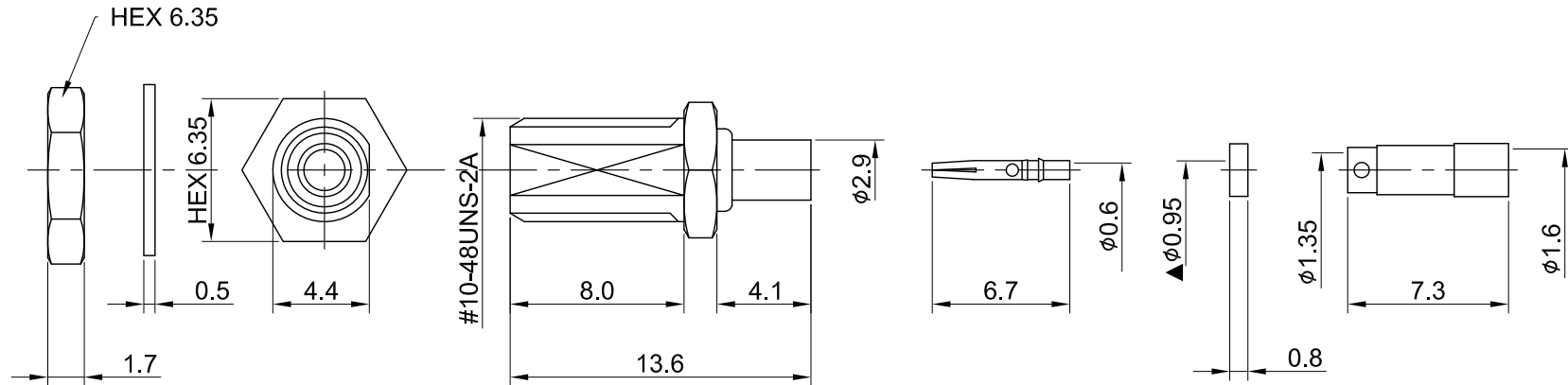
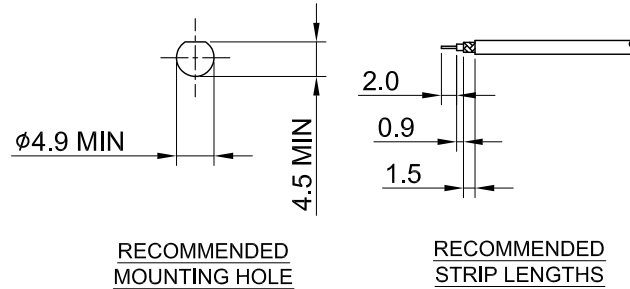


REV	DESCRIPTION	DATE
2.10	NEW DRAWING FRAME	2023/06/26
2.11	CORRECT INSULATION RESISTANCE UNIT φ0.95 W. φ0.9	2024/01/17



MECHANICAL DATA  
 DURABILITY : 500 CYCLES  
 TEMPERATURE RANGE : -65°C ~ + 165°C

ELECTRICAL DATA  
 FREQUENCY RANGE: DC~6GHz  
 IMPEDANCE : 50Ω  
 VSWR : 1.3 MAX.  
 WORKING VOLTAGE : AC 170V  
 WITHSTANDING VOLTAGE : AC 500V  
 INSULATION RESISTANCE : 1000 MΩ MIN

06	WASHER	BRASS	GOLD	1
05	NUT	BRASS	GOLD	1
04	SLEEVE	BRASS	NICKEL	1
03	PIN	Be.Cu	GOLD	1
02	INSULATOR	TEFLON	NONE	1
01	BODY	BRASS	GOLD	1
NO	DESCRIPTION	MATERIAL	FINISH	Q'TY

TITLE		DRAWN BY:		CHK'D BY:		REVISION	
MCX(F) bh. crimp type for 1.48		Kelly		David		2.11	
DWG NO. C08AB31148002B-1		2024/01/17		2024/01/17		REV.	
CUST. P/N: N/A DWG NO: N/A		DA2401110007		Unit: mm		2.11	
SHEET 1 of 1		GENERAL TOLERANCES		DRAWN BY: Kelly		2024/01/17	
		.X ±0.2 .XX ±0.2 .XXX ±0.2 ANGLES N/A		CHK'D BY: David		2024/01/17	
		DA2401110007		REV.		2.11	

