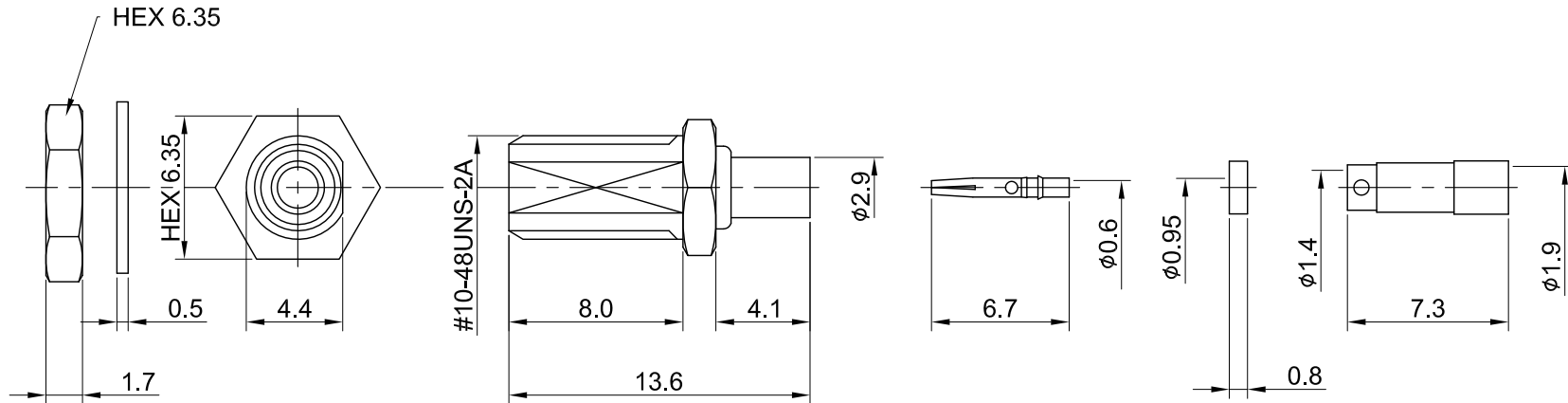
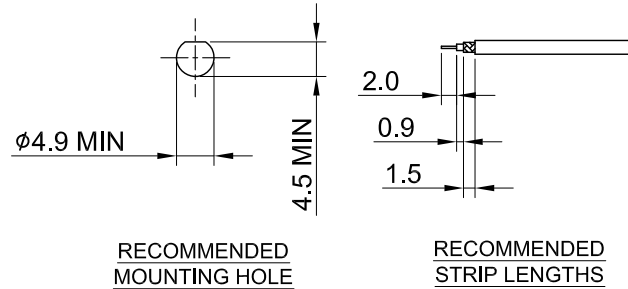


REV	DESCRIPTION	DATE
2.30	NEW DRAWING FRAME	2023/06/26
2.31	CORRECT INSULATION RESISTANCE UNIT	2024/01/17



MECHANICAL DATA
 DURABILITY : 500 CYCLES
 TEMPERATURE RANGE : -65°C ~ + 165°C

ELECTRICAL DATA
 FREQUENCY RANGE: DC~6GHz
 IMPEDANCE : 50Ω
 VSWR : 1.3 MAX.
 WORKING VOLTAGE : AC 170V
 WITHSTANDING VOLTAGE : AC 500V
 INSULATION RESISTANCE : 1000 MΩ MIN

06	WASHER	BRASS	GOLD	1
05	NUT	BRASS	GOLD	1
04	SLEEVE	BRASS	NICKEL	1
03	PIN	Be.Cu	GOLD	1
02	INSULATOR	TEFLON	NONE	1
01	BODY	BRASS	GOLD	1
NO	DESCRIPTION	MATERIAL	FINISH	Q'TY

TITLE		DRAWN BY:		DATE	
MCX(F) bh. crimp type for RG178		Kelly		2024/01/17	
DWG NO.		CHK'D BY:		DATE	
C08AB31178002B-1		David		2024/01/17	
CUST.		DRAWN BY:		DATE	
P/N: N/A		Kelly		2024/01/17	
DWG NO: N/A		CHK'D BY:		DATE	
		David		2024/01/17	
SHEET 1 of 1		Unit: mm		REV.	
				2.31	

GENERAL TOLERANCES

.X ±0.2

.XX ±0.2

.XXX ±0.2

ANGLES N/A