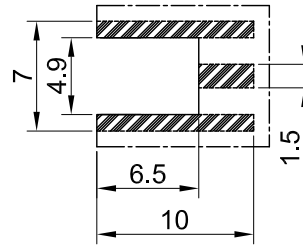
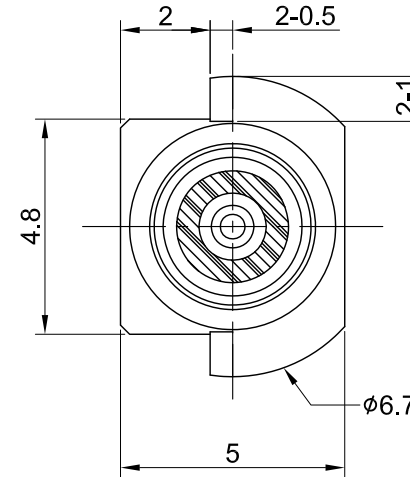
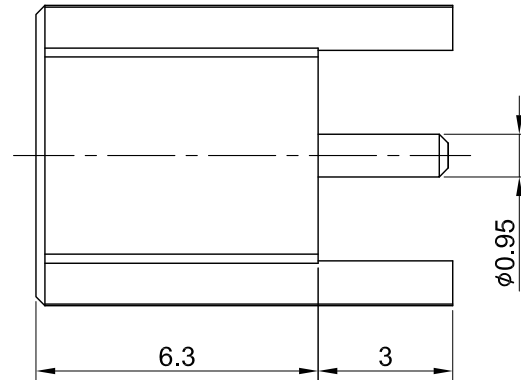


REV	DESCRIPTION	DATE
1.10	NEW DRAWING FRAME	2023/06/26
1.20	CORRECT INSULATION RESISTANCE	2023/11/16



RECOMMENDED STRIP LENGTHS



MECHANICAL DATA  
 DURABILITY : 500 CYCLES  
 TEMPERATURE RANGE : -65°C ~ + 165°C

ELECTRICAL DATA  
 FREQUENCY RANGE: DC~6GHz  
 IMPEDANCE : 50Ω  
 VSWR : 1.3 MAX.  
 WORKING VOLTAGE : AC 335V  
 WITHSTANDING VOLTAGE : AC 500V  
 INSULATION RESISTANCE : 1000 MΩ MIN

03	CENTER PIN	Be.Cu	GOLD	1
02	INSULATOR	TEFLON	NONE	1
01	BODY	BRASS	GOLD	1
NO	DESCRIPTION	MATERIAL	FINISH	Q'TY

TITLE		Wellshow	
MCX(F) st. edge mount PCB type			
DWG NO. C08AJ3F13		DRAWN BY: Lottie 2023/11/16	
CUST. P/N: N/A DWG NO: N/A		CHK'D BY: Dora 2023/11/16	
SHEET 1 of 1 Unit: mm		REVISIONS	
		DA2311140005 1.20	

GENERAL TOLERANCES	ANGLES
.X ±0.2	
.XX ±0.2	
.XXX ±0.2	
ANGLES N/A	