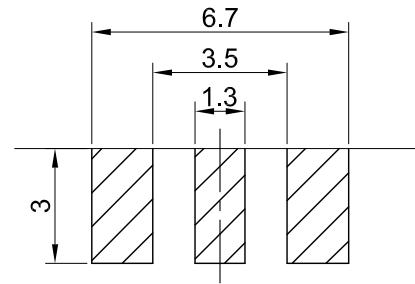
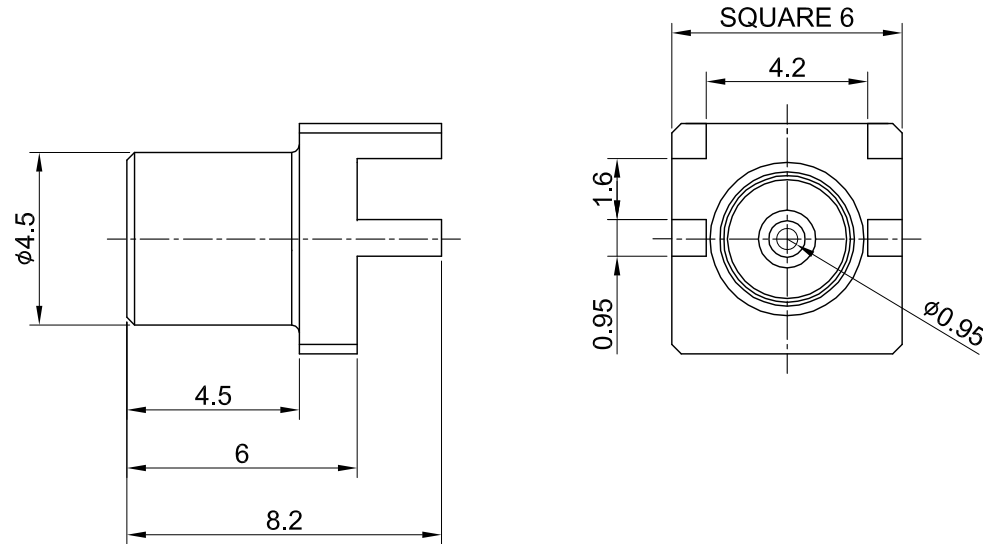


REV	DESCRIPTION	DATE
2.10	NEW DRAWING FRAME	2023/07/03
2.20	CORRECT INSULATION RESISTANCE	2023/11/16




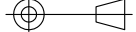
RECOMMENDED
PCB LAYOUT



MECHANICAL DATA
 DURABILITY : 500 CYCLES
 TEMPERATURE RANGE : -65°C ~ + 165°C

ELECTRICAL DATA
 FREQUENCY RANGE: DC~6GHZ
 IMPEDANCE : 50Ω
 VSWR : 1.3 MAX.
 WORKING VOLTAGE : AC 335V
 WITHSTANDING VOLTAGE : AC 500V
 INSULATION RESISTANCE : 1000 MΩ MIN

03	CENTER PIN	Be.Cu	GOLD	1
02	INSULATOR	TEFLON	NONE	1
01	BODY	BRASS	GOLD	1
NO	DESCRIPTION	MATERIAL	FINISH	Q'TY

TITLE	
MCX(F) st. edge mount, 1.6mm gap for PCB	
DWG NO. C08AJ3F19	
CUST. P/N: N/A DWG NO: N/A	GENERAL TOLERANCES .X ±0.2 .XX ±0.2 .XXX ±0.2 ANGLES N/A
SHEET 1 of 1 Unit: mm	DRAWN BY: Lottie 2023/11/16 CHK'D BY: Dora 2023/11/16  REV. 2.20 DA2311140007