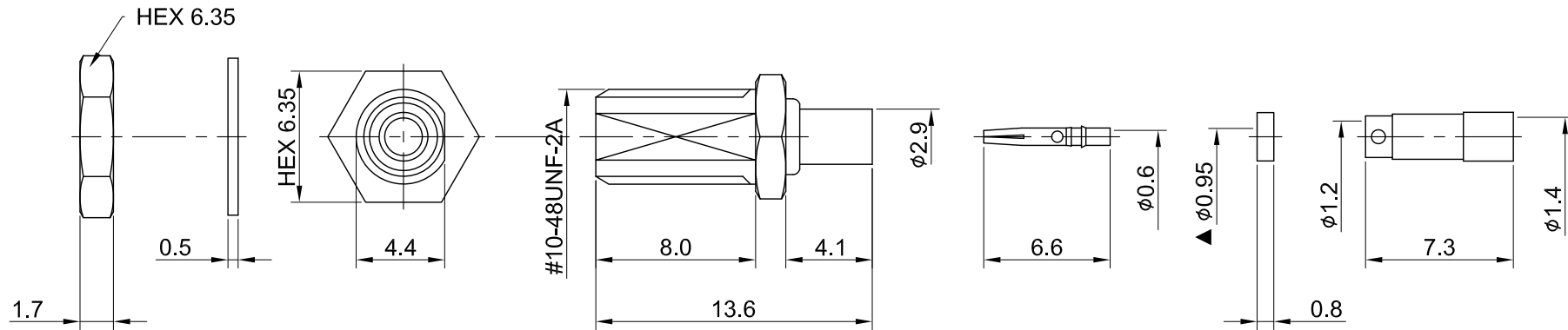
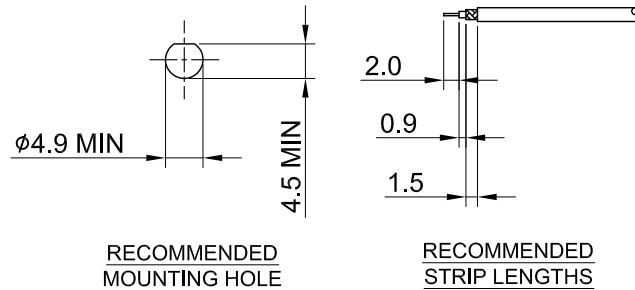


REV	DESCRIPTION	DATE
1.10	NEW DRAWING FRAME	2023/07/03
1.11	CORRECT INSULATION RESISTANCE UNIT φ0.95 W. φ0.9	2024/01/18



MECHANICAL DATA
 DURABILITY : 500 CYCLES
 TEMPERATURE RANGE : -65°C ~ + 165°C

ELECTRICAL DATA
 FREQUENCY RANGE: DC~3GHZ
 IMPEDANCE : 75Ω
 VSWR : 1.3 MAX.
 WORKING VOLTAGE : AC 170V
 WITHSTANDING VOLTAGE : AC 500V
 INSULATION RESISTANCE : 1000 MΩ MIN

06	WASHER	BRASS	GOLD	1
05	NUT	BRASS	GOLD	1
04	SLEEVE	BRASS	NICKEL	1
03	INSULATOR	TEFLON	NONE	1
02	PIN	Be.Cu	GOLD	1
01	BODY	BRASS	GOLD	1
NO	DESCRIPTION	MATERIAL	FINISH	Q'TY

TITLE		DRAWN BY: Kelly		2024/01/18
MCX(F)st. bh., crimp for 1.32mm, 75 ohm		CHK'D BY: David		2024/01/18
DWG NO. C08OB31132002B		REVISIONS		REV. 1.11
CUST. P/N: N/A DWG NO: N/A		DA2401110011		
SHEET 1 of 1 Unit: mm		GENERAL TOLERANCES		
		.X ±0.2		
		.XX ±0.2		
		.XXX ±0.2		
		ANGLES N/A		

